

Indian HFG Standard Components

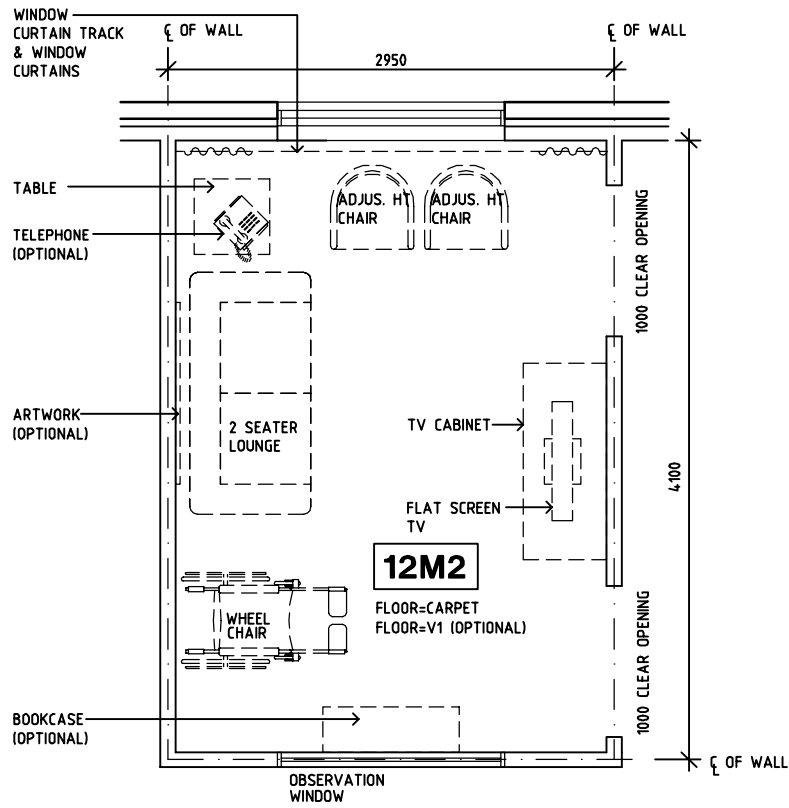
Room Layout Sheet

Room Name **ADL Lounge**

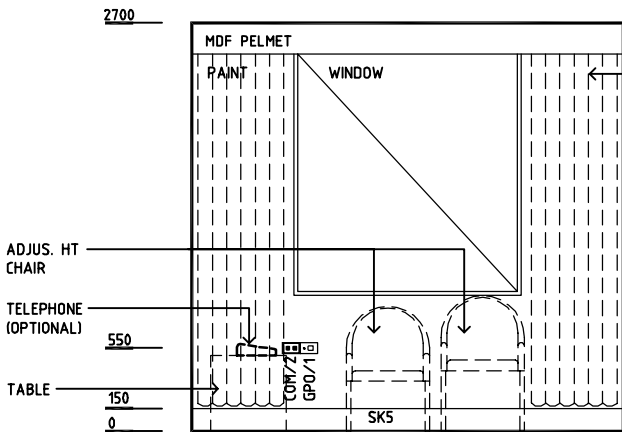
RLS Room Code **ADLN-IN**

RDS Room Code **ADLN-IN**

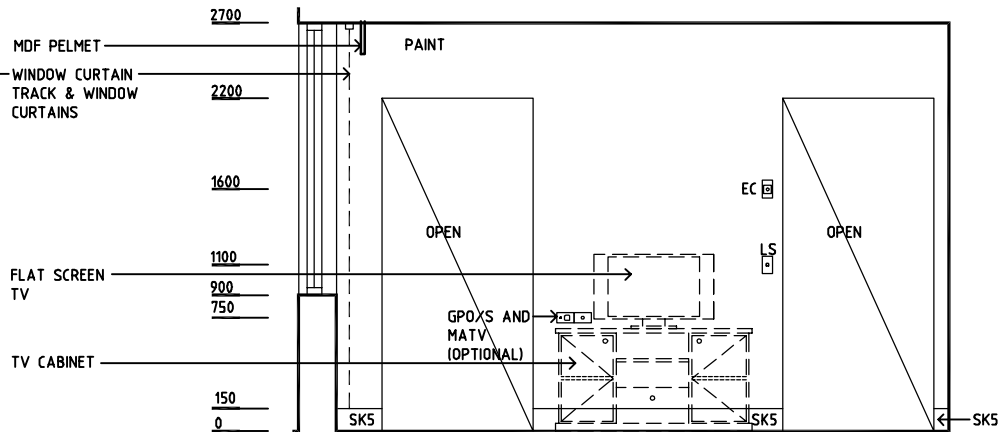
- COM/2 COMMUNICATIONS OUTLET - DOUBLE
- EC EMERGENCY CALL
- GPO/1 GENERAL PURPOSE OUTLET - SINGLE
- GPO/S SPECIAL PURPOSE OUTLET
- LS LIGHT SWITCH
- MATV MASTER ANTENNA TV
- SK5 VINYL FEATHER EDGE SKIRTING
- V1 VINYL FLOORING, STANDARD



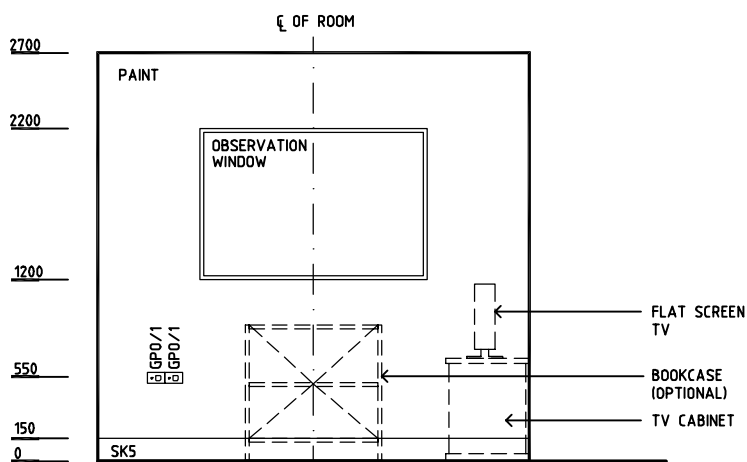
PLAN



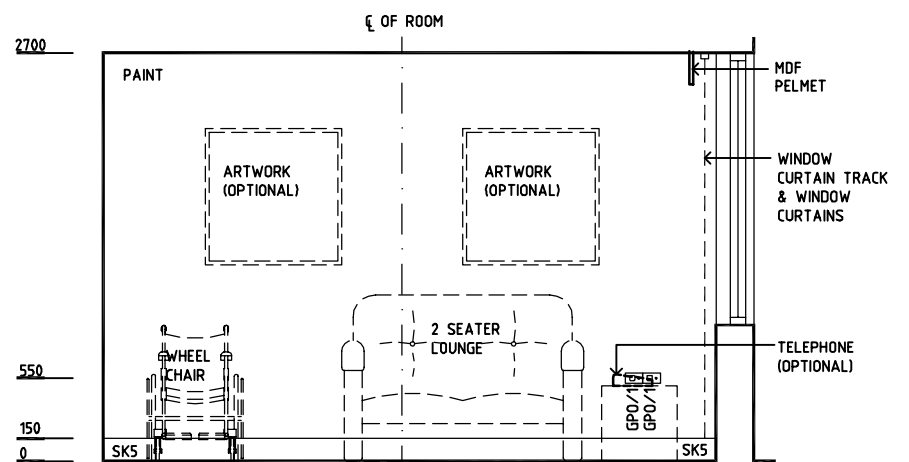
ELEVATION 1



ELEVATION 2



ELEVATION 3



ELEVATION 4

REV	DESCRIPTION	DATE	BY	REV	DESCRIPTION	DATE	BY	REV	DESCRIPTION	DATE	BY
1	FIRST ISSUE	24.02.2014	AA								



Indian Health Facility Guidelines at:
www.healthdesign.com.au/ihfg
 Editable version of Standard Components on
 Health Facility Briefing System (HFBS) at:
www.healthdesign.com.au
 Provided by TAHPI

DESIGNED	APPROVED	DATE	SCALE(S)	SHEET
CC	DB	24.10.10	1:50 in A3	1 of 1
CAD FILE NAME		PAPER DRAWING ID		ISSUE
ADLN-IN		ADLN-IN		1

Department	Indian Health Facility Guidelines	Room Tag:	1170
Room Name	ADL Lounge	Room Code:	ADLN-IN
Net Room Area Briefed	12.0 M2		
No of Rooms	1		
Subtotal of Briefed Area	12.00 M2		
Hours of Operation	24 Hours		
Occupancy	Up to 5; 1 staff intermittently		
Also covers these Rooms			
Description/ Special Requirements	<p>The ADL Lounge provides a lounge area for ADL patient assessment and training. A range of variable height seating will be included. Fittings and furniture will be domestic in nature to simulate the patient's home environment. Doors to this room are optional.</p> <p>Acoustics: Sound attenuation level - Medium; Acoustic privacy required.</p> <p>Body Protected electrical area</p>		
Amendment	05.03.2014 First Issue		

Room Fabric and outline specifications

ID	Fabric	Material	Finish	Specification	Selection	Remarks
5060	Ceiling	Acoustic	Prefinished	Drop-in tiles, 600x1200		
6025	Cornice	Aluminium	Powdercoat	shadow line		
8010	Door protection	Composite	Prefinished PVC	Protection plate to 900 AFFL		if door door is provided
8040	Door protection	Composite	Prefinished PVC	To door frame		if door door is provided
9004	Doors	Solid Core/ Glass	Paint	Single leaf, observation panel		optional
1149	Floor finish	Carpet	90/10 Wool/ Nylon	Broadloom, 48 oz.		Vinyl also acceptable
7035	Observation	Alum/ Glass	Powdercoat	Internal window		optional
2130	Skirting	Metal	Powdercoat	Decorative		or floor vinyl coved skirting
3000	Wall finish	Paint	Acrylic, washable			
7001	Windows					essential

Fittings and Furniture (FF)

ID	Description	Category	Group	Qty	Selection / Remarks
350	Artwork	Furniture/ Fitting	3	2	optional
1300	Bookcase	Furniture/ Fitting	3	1	optional
1500	Cabinet: TV / Video	Furniture/ Fitting	3	1	
1585	Chair: adjustable height	Furniture/ Fitting	3	2	
4900	Curtain track: window	Metalwork	1	1	
5410	Curtain: window, drapes	Furniture/ Fitting	3	1	or blinds
12750	Lounge: 2 seat	Furniture/ Fitting	3	1	

Department Indian Health Facility Guidelines
 Room Name ADL Lounge

Room Tag: 1170
 Room Code: ADLN-IN

ID	Description	Category	Group	Qty	Selection / Remarks
22800	Table: low	Furniture/ Fitting	3	1	
24200	Wheelchair	Furniture/ Fitting	3		spatial provision

Fixtures, Equipment and associated Services (FE)

ID	Description	Group	Qty	Ele	Data	CdW	HtW	WmW	Tap	Dns	Gas	Selection / Remarks
54510	Telephone: handset, standard	3	1	___	yes	___	___	___	___	___	___	optional, on table
54650	Television & video unit	3	1	yes	___	___	___	___	___	___	___	on cabinet, optional

Services

ID	Description	Service Category	Qty	Selection / Remarks
1090	TV: MATV	Communications	1	optional
1006	Voice / Data outlet: double	Communications	1	1 outlet for telephone
5000	Airconditioning	HVAC		
6000	General fluorescent	Lighting		
6046	Indirect lighting	Lighting		optional
8080	Emergency call	Nurse Call	1	+ indicator button & light
9040	Body protected	Power		
9000	GPO: Single	Power	5	
9060	GPO: Special: for equipment	Power	1	TV, optional



Indian HFG Standard Components

Room Layout Sheet

Room Name **ADL Dining Room**

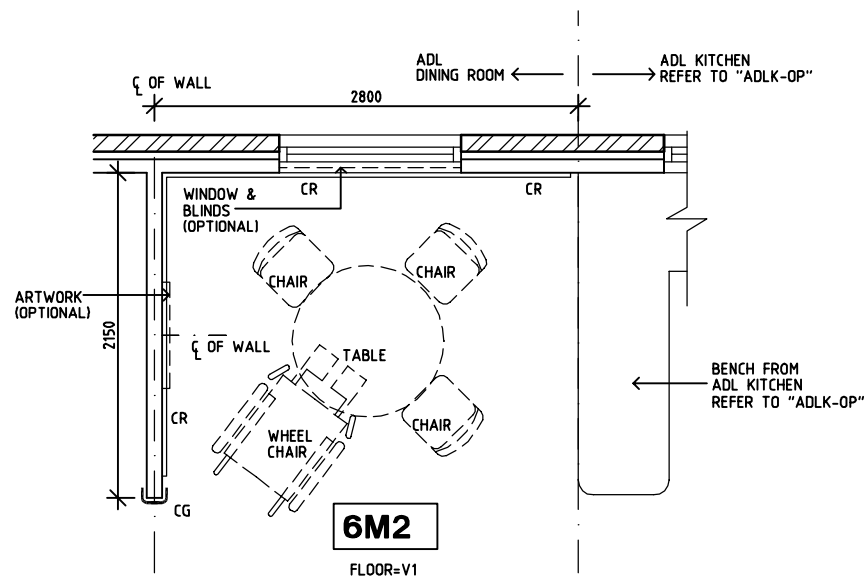
RLS Room Code

ADLD-IN

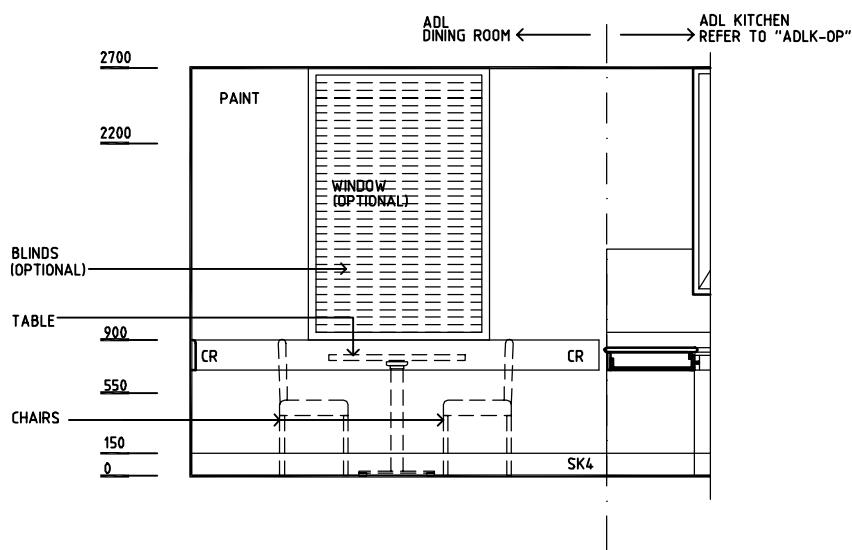
RDS Room Code

ADLD-IN

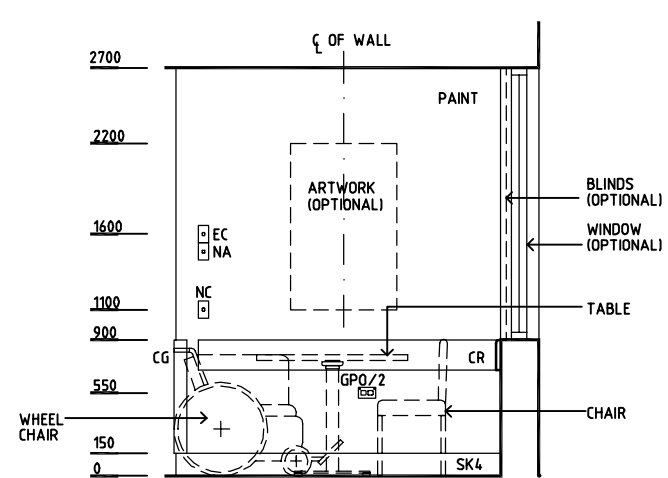
- CG CORNER GUARD
- CR CRASH RAIL
- EC EMERGENCY CALL
- GPO/2 GENERAL PURPOSE OUTLET-DOUBLE
- NC NURSE CALL
- NA NURSE ASSISTANCE
- SK4 FLOOR VINYL COVED
- V1 VINYL FLOORING STANDARD



PLAN



ELEVATION 1



ELEVATION 2

REV	DESCRIPTION	DATE	BY	REV	DESCRIPTION	DATE	BY	REV	DESCRIPTION	DATE	BY
1	FIRST ISSUE	24.02.2014	AA								



Indian Health Facility Guidelines

Indian Health Facility Guidelines at:
www.healthdesign.com.au/ihfg
 Editable version of Standard Components on
 Health Facility Briefing System (HFBS) at:
www.healthdesign.com.au
 Provided by TAHPI

DESIGNED	APPROVED	DATE	SCALE(S)	SHEET
CC	DB	24.10.10	1:50 in A3	1 of 1
CAD FILE NAME		PAPER DRAWING ID		ISSUE
ADLD-IN		ADLD-IN		1

Department	Indian Health Facility Guidelines	Room Tag:	1130
Room Name	ADL Dining Room	Room Code:	ADLD-IN

Net Room Area Briefed

6.0 M2

No of Rooms

1

Subtotal of Briefed Area

6.00 M2

Hours of Operation

24 Hours

Occupancy

Up to 4

Also covers these

Rooms

**Description/
Special Requirements**

The ADL Dining Room is an area provided within the Transitional Living Unit for the patient along with their visitors to eat their meals, away from the bedroom environment. The Dining Room will be located adjacent to the ADL Kitchen.

Amendment

05.03.2014 First Issue

Room Fabric and outline specifications

ID	Fabric	Material	Finish	Specification	Selection	Remarks
5060	Ceiling	Acoustic	Prefinished	Drop-in tiles, 600x1200		
6025	Cornice	Aluminium	Powdercoat	shadow line		
1000	Floor finish	Vinyl	Standard slip resistant	Seamless, coved		
2000	Skirting	Vinyl	Prefinished	Floor vinyl coved, 150mmH		
3000	Wall finish	Paint	Acrylic, washable			
4045	Wall protection	Timber	Clear finish	Corner guards		
4060	Wall protection	Timber	Stain/ clear finish	Crash rail at 900AFFL		
7001	Windows					desirable

Fittings and Furniture (FF)

ID	Description	Category	Group	Qty	Selection / Remarks
350	Artwork	Furniture/ Fitting	3	1	optional
1250	Blind: Venetian	Metalwork	3	1	to external window as required
1700	Chair: dining	Furniture/ Fitting	3	3	with space for wheelchair
23000	Table: dining	Furniture/ Fitting	3	1	

Services

ID	Description	Service Category	Qty	Selection / Remarks
5000	Airconditioning	HVAC		
6110	Downlights: dimmable	Lighting		optional
6000	General fluorescent	Lighting		
8080	Emergency call	Nurse Call	1	+ indicator button & light
8000	Patient/ Staff call	Nurse Call	1	+ indicator button & light
8010	Staff/ Nurse assist call	Nurse Call	1	+ indicator button & light
9040	Body protected	Power		



Department Indian Health Facility Guidelines
Room Name ADL Dining Room

Room Tag: 1130
Room Code: ADLD-IN

ID	Description	Service Category	Qty	Selection / Remarks
9001	GPO: Double	Power	1	

Indian HFG Standard Components

Room Layout Sheet

Room Name **ADL Kitchen - Enclosed**

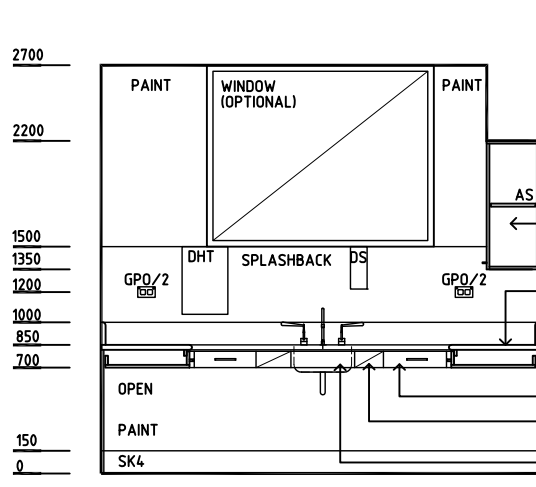
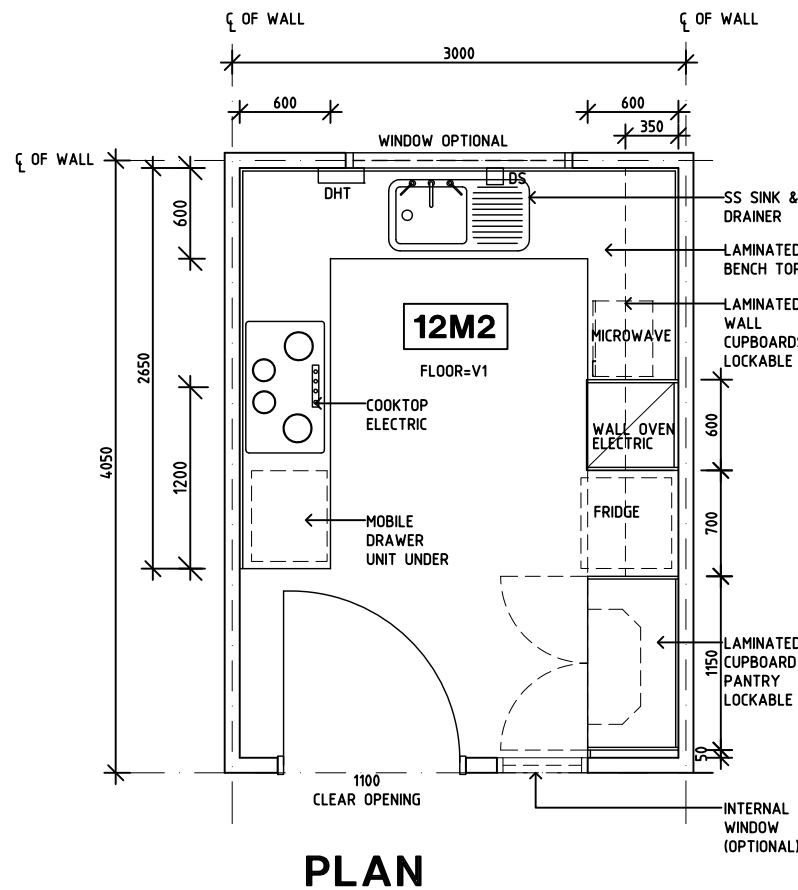
RLS Room Code

ADLK-ENC-IN

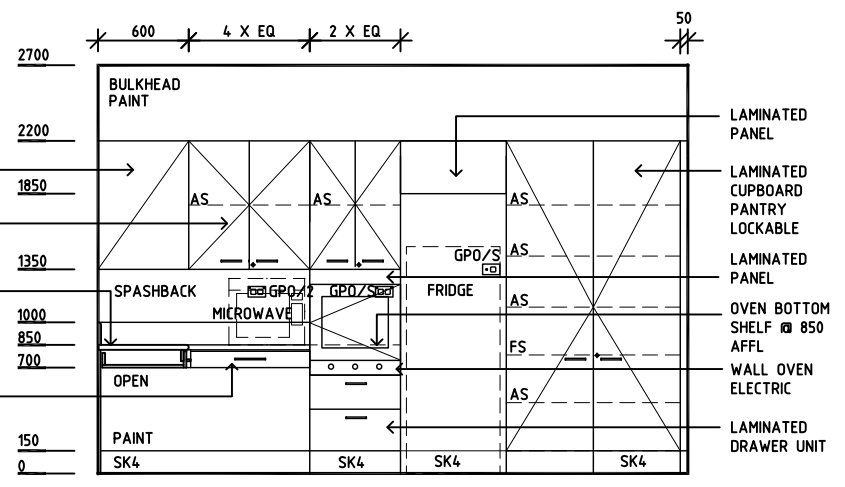
RDS Room Code

ADLK-ENC-IN

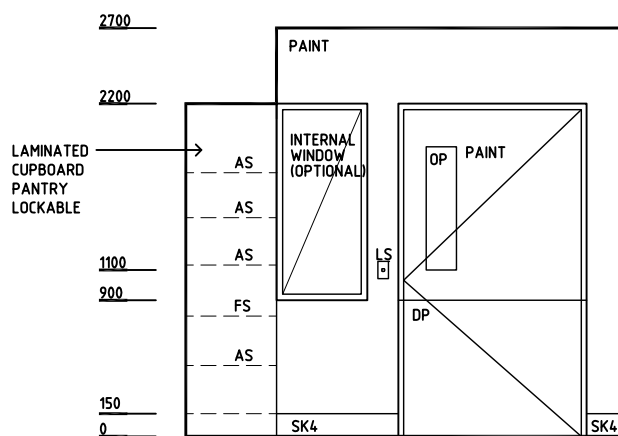
- AS ADJUSTABLE SHELF
- DHT DISPENSER - HAND TOWEL
- DS DISPENSER - SOAP
- GPO/1 GENERAL PURPOSE OUTLET-SINGLE
- GPO/2 GENERAL PURPOSE OUTLET-DOUBLE
- GPO/S GENERAL PURPOSE OUTLET-SPECIAL
- LS LIGHT SWITCH
- SK4 FLOOR VINYL COVERED
- SS STAINLESS STEEL
- V1 VINYL FLOORING STANDARD



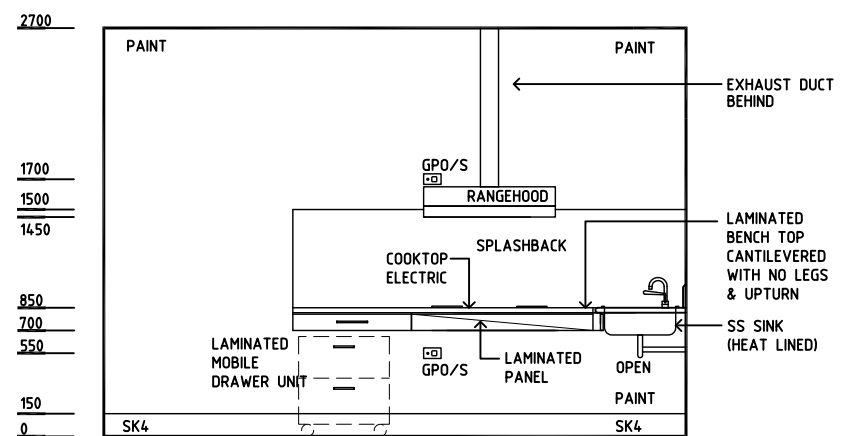
ELEVATION 1



ELEVATION 2



ELEVATION 3



ELEVATION 4

REV	DESCRIPTION	DATE	BY	REV	DESCRIPTION	DATE	BY	REV	DESCRIPTION	DATE	BY
1	FIRST ISSUE	24.02.2014	SYH								

	Indian Health Facility Guidelines Indian Health Facility Guidelines at: www.healthdesign.com.au/ihfg Editable version of Standard Components on Health Facility Briefing System (HFBS) at: www.healthdesign.com.au Provided by TAHPI	DESIGNED	APPROVED	DATE	SCALE(S)	SHEET
		CC/SYH	DB/AA	24.10.10	1:50 in A3	1 of 1
		CAD FILE NAME		PAPER DRAWING ID		ISSUE
ADLK-ENC-IN		ADLK-ENC-IN		1		

This document is for advisory purpose only

Department	Indian Health Facility Guidelines	Room Tag:	1150
Room Name	ADL Kitchen - Enclosed	Room Code:	ADLK-ENC-IN
Net Room Area Briefed	12.0 M2		
No of Rooms	1		
Subtotal of Briefed Area	12.00 M2		
Hours of Operation	24 Hours		
Occupancy	2 - 3		
Also covers these Rooms			
Description/ Special Requirements	An accessible kitchen for patient Activities of Daily Living assessment and training; bench is to be wheelchair accessible. The Kitchen will include benches, sink, cooktop, wall oven/grill, rangehood, microwave , wheelchair accessible storage, and refrigerator/ freezer.		
Amendment	Body Protected electrical area 05.03.2014 First Issue		

Room Fabric and outline specifications

ID	Fabric	Material	Finish	Specification	Selection	Remarks
5010	Ceiling	Plasterboard	Paint, washable	Flush set, suspended		
6025	Cornice	Aluminium	Powdercoat	shadow line		
8010	Door protection	Composite	Prefinished PVC	Protection plate to 900 AFFL		
8040	Door protection	Composite	Prefinished PVC	To door frame		
9004	Doors	Solid Core/ Glass	Paint	Single leaf, observation panel		1100 clear opening
1000	Floor finish	Vinyl	Standard slip resistant	Seamless, coved		
7035	Observation	Alum/ Glass	Powdercoat	Internal window		optional
7010	Observation	Glass	Clear	Through door/s		
2000	Skirting	Vinyl	Prefinished	Floor vinyl coved, 150mmH		
3000	Wall finish	Paint	Acrylic, washable			
3022	Wall finish	Resinate, 6mm	Prefinished	Splashback		tiles also acceptable

Fittings and Furniture (FF)

ID	Description	Category	Group	Qty	Selection / Remarks
1050	Bench: laminate	Furniture/ Fitting	1	1	open under, round edges
4335	Cupboard: double door lockable	Furniture/ Fitting	1	1	pantry cupboard
4440	Cupboard: drawer unit, lockable	Furniture/ Fitting	3	1	mobile, under bench
4391	Cupboard: special	Furniture/ Fitting	1	1	for oven, with drawers under, cupboards over
4470	Cupboard: wall mounted, lockable	Furniture/ Fitting	1	1	over bench
6154	Dispenser: paper/ hand towel	Furniture/ Fitting	2	1	to sink

Department Indian Health Facility Guidelines
 Room Name ADL Kitchen - Enclosed

Room Tag: 1150
 Room Code: ADLK-ENC-IN

ID	Description	Category	Group	Qty	Selection / Remarks
6156	Dispenser: soap	Furniture/ Fitting	2	1	to sink
6510	Drawer unit: lockable	Furniture/ Fitting	1	1	single row under bench
24105	Waste bin: fliptop, 20 Litre	Furniture/ Fitting	3	1	under bench

Fixtures, Equipment and associated Services (FE)

ID	Description	Group	Qty	Ele	Data	CdW	HtW	WmW	Tap	Dns	Gas	Selection / Remarks
13400	Cooktop: electric	1	1	yes	___	___	___	___	___	___	___	elements in semi circle, front controls
37200	Oven: electric	1	1	yes	___	___	___	___	___	___	___	wall oven, retractable/ side opening doors
35400	Oven: microwave, domestic	3	1	yes	___	___	___	___	___	___	___	
42950	Rangehood	1	1	yes	___	___	___	___	___	___	___	over stove
44150	Refrigerator: 300 Litre, domestic	3	1	yes	___	___	___	___	___	___	___	
47890	Sink & drainer: single, 930mmL	1	1	___	___	yes	opt	opt	yes	yes	___	heat lined, warm water

Services

ID	Description	Service Category	Qty	Selection / Remarks
5000	Airconditioning	HVAC		
5019	Exhaust	HVAC	1	to rangehood
6000	General fluorescent	Lighting		
9040	Body protected	Power		
9001	GPO: Double	Power	3	benchtop
9060	GPO: Special: for equipment	Power	4	cooktop, oven, rangehood, fridge



Indian HFG Standard Components

Room Layout Sheet

Room Name **ADL Kitchen - Open Bay**

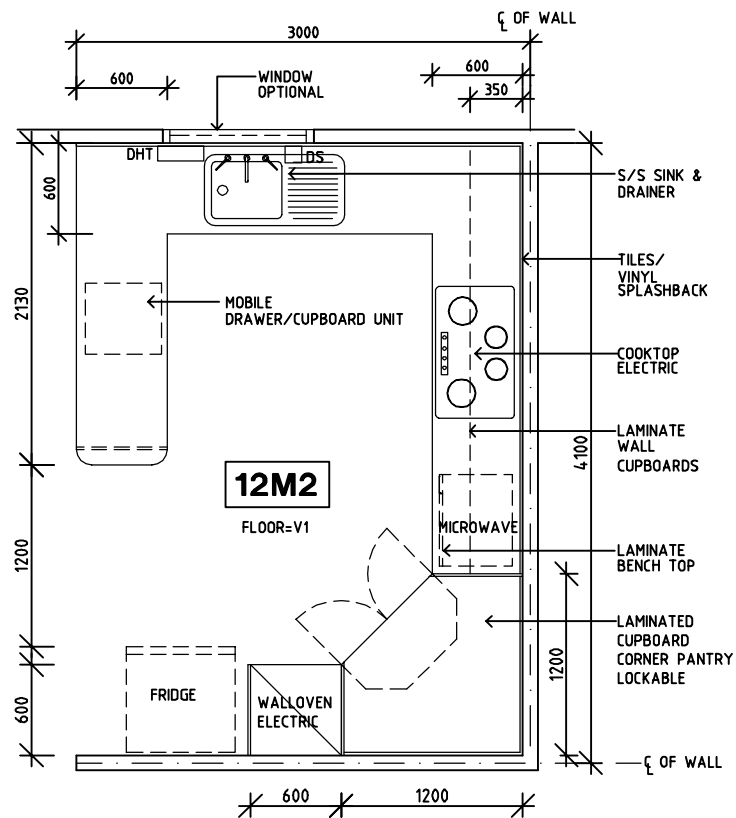
RLS Room Code

ADLK-OP-IN

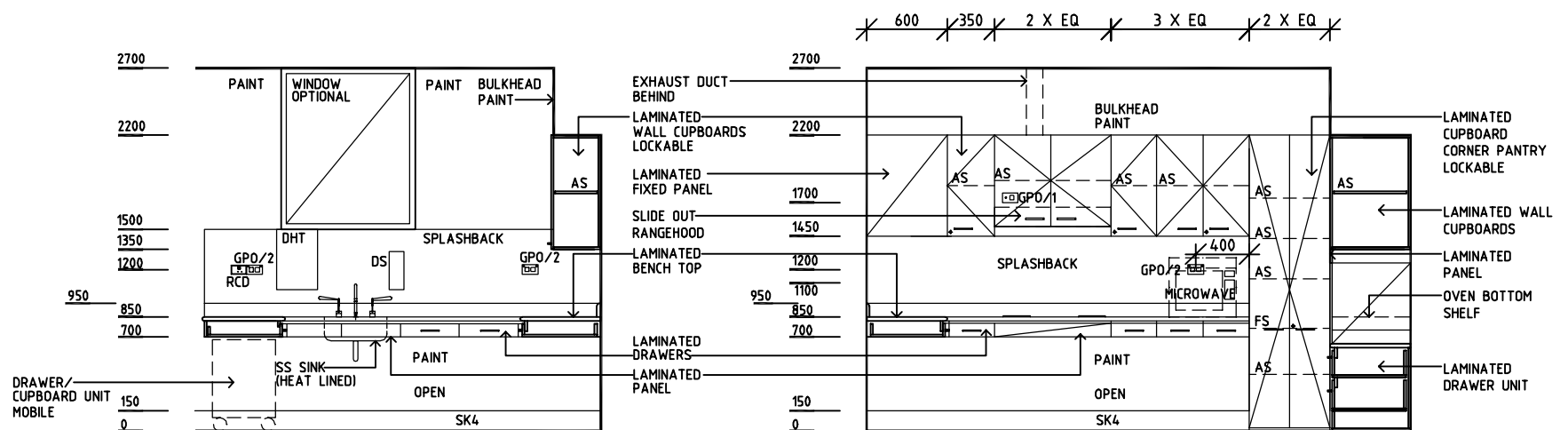
RDS Room Code

ADLK-OP-IN

- AS ADJUSTABLE SHELF
- DHT DISPENSER - HAND TOWEL
- DS DISPENSER - SOAP
- GPO/1 GENERAL PURPOSE OUTLET-SINGLE
- GPO/2 GENERAL PURPOSE OUTLET-DOUBLE
- GPO/C GENERAL PURPOSE OUTLET-CLEANER'S
- GPO/S GENERAL PURPOSE OUTLET-SPECIAL
- LS LIGHT SWITCH
- RCD RESIDUAL CURRENT DEVICE
- SK4 FLOOR VINYL COVERED
- SS STAINLESS STEEL
- V1 VINYL FLOORING STANDARD

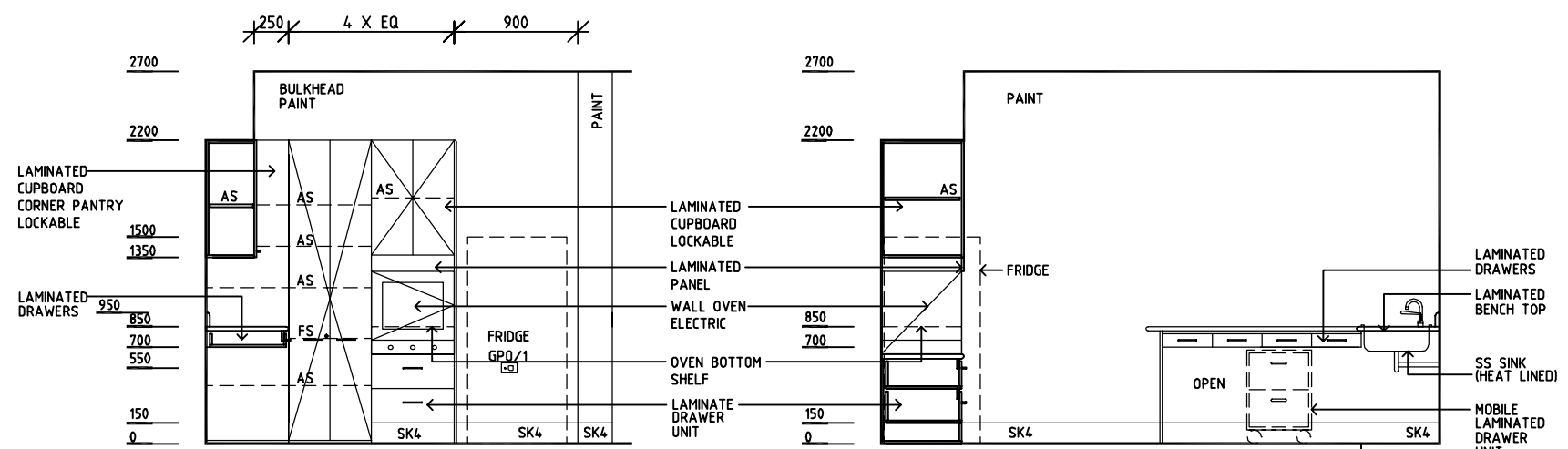


PLAN



ELEVATION 1


ELEVATION 2



ELEVATION 3

ELEVATION 4

REV	DESCRIPTION	DATE	BY	REV	DESCRIPTION	DATE	BY	REV	DESCRIPTION	DATE	BY
1	FIRST ISSUE	24.02.2014	SYH								

 Indian Health Facility Guidelines	Indian Health Facility Guidelines at: www.healthdesign.com.au/ihfg Editable version of Standard Components on Health Facility Briefing System (HFBS) at: www.healthdesign.com.au Provided by TAHPI	DESIGNED	APPROVED	DATE	SCALE(S)	SHEET
		CC/SYH	DB/AA	24.08.10	1:50 in A3	1 of 1
	CAD FILE NAME		PAPER DRAWING ID		ISSUE	
ADLK-OP-IN		ADLK-OP-IN		1		

Department	Indian Health Facility Guidelines	Room Tag:	1140
Room Name	ADL Kitchen - Open Bay	Room Code:	ADLK-OP-IN
Net Room Area Briefed	12.0 M2		
No of Rooms	1		
Subtotal of Briefed Area	12.00 M2		
Hours of Operation	24 Hours		
Occupancy	2 - 3		
Also covers these Rooms			
Description/ Special Requirements	An accessible kitchen for patient Activities of Daily Living assessment and training; bench is to be wheelchair accessible. The Kitchen will include benches, sink, cooktop, wall oven/grill, rangehood, microwave , wheelchair accessible storage, and refrigerator/ freezer.		
Amendment	Body Protected electrical area 05.03.2014 First Issue		

Room Fabric and outline specifications

ID	Fabric	Material	Finish	Specification	Selection	Remarks
5010	Ceiling	Plasterboard	Paint, washable	Flush set, suspended		
6025	Cornice	Aluminium	Powdercoat	shadow line		
1000	Floor finish	Vinyl	Standard slip resistant	Seamless, coved		
2000	Skirting	Vinyl	Prefinished	Floor vinyl coved, 150 mmH		
3000	Wall finish	Paint	Acrylic, washable			
3022	Wall finish	Resinate, 6mm	Prefinished	Splashback		tiles also acceptable

Fittings and Furniture (FF)

ID	Description	Category	Group	Qty	Selection / Remarks
1050	Bench: laminate	Furniture/ Fitting	1	1	open under, round edges
4335	Cupboard: double door lockable	Furniture/ Fitting	1	1	pantry cupboard
4440	Cupboard: drawer unit, lockable	Furniture/ Fitting	3	1	mobile, under bench
4391	Cupboard: special	Furniture/ Fitting	1	1	for oven, cupboards over, drawers under
4470	Cupboard: wall mounted, lockable	Furniture/ Fitting	1	1	over bench
6154	Dispenser: paper/ hand towel	Furniture/ Fitting	2	1	to sink
6156	Dispenser: soap	Furniture/ Fitting	2	1	to sink
6510	Drawer unit: lockable	Furniture/ Fitting	1	1	single row under bench
24105	Waste bin: flip top, 20 Litre	Furniture/ Fitting	3	1	under bench

Fixtures, Equipment and associated Services (FE)

ID	Description	Group	Qty	Ele	Data	CdW	HtW	WmW	Tap	Dns	Gas	Selection / Remarks
----	-------------	-------	-----	-----	------	-----	-----	-----	-----	-----	-----	---------------------

Department Indian Health Facility Guidelines
Room Name ADL Kitchen - Open Bay

Room Tag: 1140
Room Code: ADLK-OP-IN

ID	Description	Group	Qty	Ele	Data	CdW	HtW	WmW	Tap	Dns	Gas	Selection / Remarks
13400	Cooktop: electric	1	1	yes	___	___	___	___	___	___	___	elements in semi circle, front controls
37200	Oven: electric	1	1	yes	___	___	___	___	___	___	___	wall oven, retractable/ side opening doors
35400	Oven: microwave, domestic	3	1	yes	___	___	___	___	___	___	___	
42950	Rangehood	1	1	yes	___	___	___	___	___	___	___	over stove
44150	Refrigerator: 300 Litre, domestic	3	1	yes	___	___	___	___	___	___	___	
47890	Sink & drainer: single, 930mmL	1	1	___	___	yes	opt	opt	yes	yes	___	heat lined, warm water

Services

ID	Description	Service Category	Qty	Selection / Remarks
5000	Airconditioning	HVAC		
5019	Exhaust	HVAC	1	to rangehood
6000	General fluorescent	Lighting		
9040	Body protected	Power		
9001	GPO: Double	Power	3	benchtop
9060	GPO: Special: for equipment	Power	3	cooktop, oven, rangehood
9060	GPO: Special: for equipment	Power	2	Microwave, fridge

