

Indian HFG Standard Components

Room Layout Sheet

Room Name

Cleaner's Room - 5m2

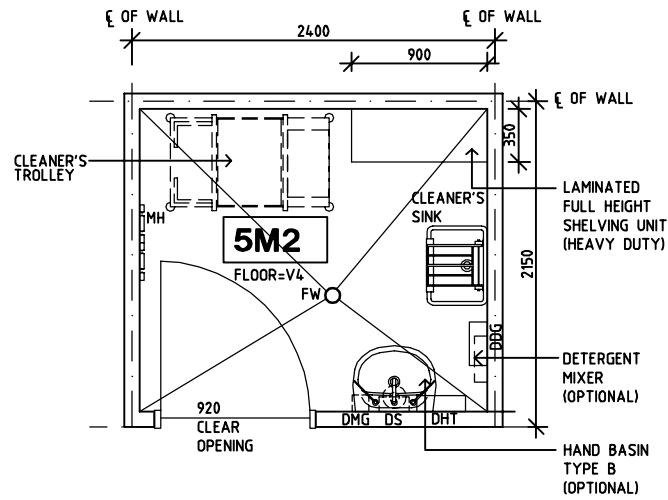
RLS Room Code

CLRM-5-IN

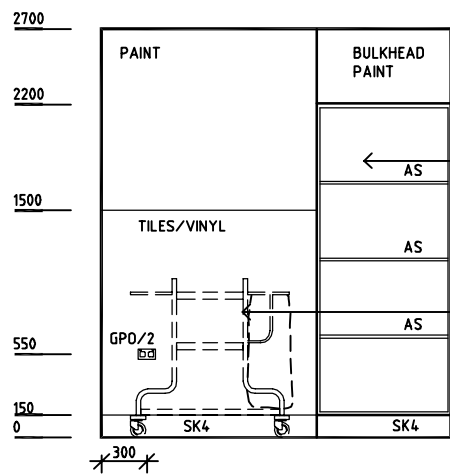
RDS Room Code

CLRM-5-IN

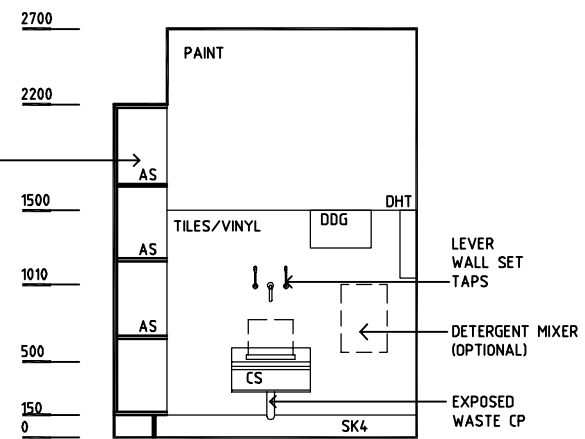
- AS ADJUSTABLE SHELF
- CP CHROME PLATED
- CS CLEANER'S SINK
- DDG DISPENSER - DISPOSABLE GLOVE
- DHT DISPENSER - HAND TOWEL
- DMG DISPENSER - MEDICATED HAND GEL
- DP DOOR AND DOOR FRAME PROTECTION
- DS DISPENSER - SOAP
- FW FLOOR WASTE
- GPO/2 GENERAL PURPOSE OUTLET - DOUBLE
- LS LIGHT SWITCH
- MH MOP HOOKS
- SK4 FLOOR VINYL COVERED SKIRTING
- V4 VINYL FLOORING, SAFETY



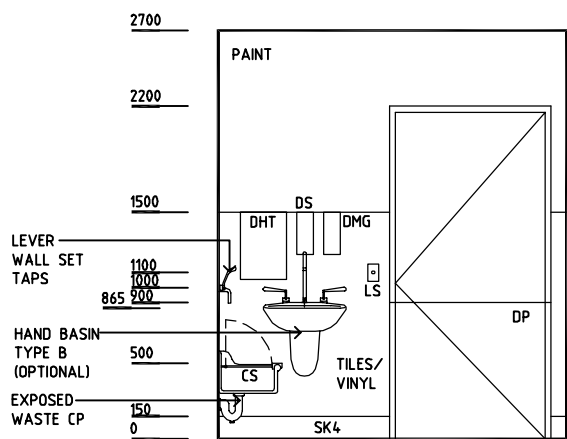
PLAN



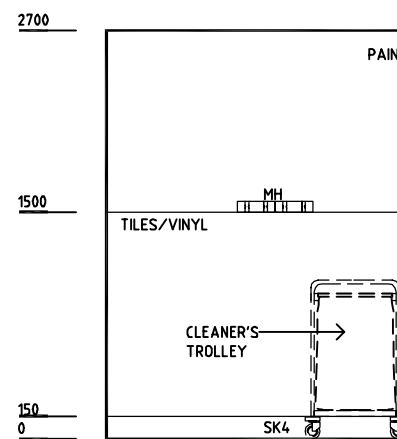
ELEVATION 1



ELEVATION 2



ELEVATION 3



ELEVATION 4

REV	DESCRIPTION	DATE	BY	REV	DESCRIPTION	DATE	BY	REV	DESCRIPTION	DATE	BY
1	FIRST ISSUE	24.02.2014	AA								

	Indian Health Facility Guidelines	Indian Health Facility Guidelines at: www.healthdesign.com.au/ihfg Editable version of Standard Components on Health Facility Briefing System (HFBS) at: www.healthdesign.com.au Provided by TAHPI		DESIGNED	APPROVED	DATE	SCALE(S)	SHEET
		CC	DB	24.10.10	1:50 in A3	1 of 1		
		CAD FILE NAME		PAPER DRAWING ID		ISSUE		
CLRM-5-IN		CLRM-5-IN		1				

Department	Indian Health Facility Guidelines	Room Tag:	1840
Room Name	Cleaner's Room, 5m2	Room Code:	CLRM-5-IN
Net Room Area Briefed	5.0 M2		
No of Rooms	1		
Subtotal of Briefed Area	5.00 M2		
Hours of Operation	24 Hours		
Occupancy	1 - 2 intermittently		
Also covers these Rooms			
Description/ Special Requirements	A secure room for the storage and decanting of cleaning materials and agents, storage of cleaning equipment and trolley, washing and storage of mops, buckets, brooms etc. and for waste disposal.		
Amendment	05.03.2014 - Issue 1		

Room Fabric and outline specifications

ID	Fabric	Material	Finish	Specification	Selection	Remarks
5023	Ceiling	Plasterboard	Prefinished	Water resistant, drop in tiles, 600x1200		
6025	Cornice	Aluminium	Powdercoat	shadow line		
8040	Door protection	Composite	Prefinished PVC	To door frame		
8010	Door protection	Composite	Prefinished PVC	Protection plate to 900 AFFL		
9001	Doors	Solid Core	Paint	Single leaf		920mm clear opening; lock set
1020	Floor finish	Vinyl, non-slip	Safety	Seamless, coved		
2000	Skirting	Vinyl	Prefinished	Floor vinyl coved, 150 mmH		
3000	Wall finish	Paint	Acrylic, washable			
3052	Wall finish	Vinyl	Prefinished	Wall vinyl to 1500AFFL		

Fittings and Furniture (FF)

ID	Description	Category	Group	Qty	Selection / Remarks
6152	Dispenser: disposable glove	Furniture/ Fitting	2	1	
6154	Dispenser: paper/ hand towel	Furniture/ Fitting	2	1	
6156	Dispenser: soap	Furniture/ Fitting	2	1	
1485	Hook rack: broom/ mop	Metalwork	1	1	4 hooks, on mounting plate
19970	Shelving unit: heavy duty	Furniture/ Fitting	1	1	adjustable shelves
3200	Trolley: cleaner's	Furniture/ Fitting	3	1	

Fixtures, Equipment and associated Services (FE)

ID	Description	Group	Qty	Ele	Data	CdW	HtW	WmW	Tap	Dns	Gas	Selection / Remarks
9300	Dispenser: detergent/ chemical mixer	2	1	___	___	yes	___	___	yes	___	___	optional
49200	Sink: cleaner	1	1	___	___	yes	yes	___	yes	yes	___	

Department Indian Health Facility Guidelines
Room Name Cleaner's Room, 5m2

Room Tag: 1840
Room Code: CLRM-5-IN

Services

ID	Description	Service Category	Qty	Selection / Remarks
5019	Exhaust	HVAC		
5015	Ventilation	HVAC		
4050	Cold water: hosecock	Hydraulics	1	to detergent/ chemical mixer if required
4033	Floor waste	Hydraulics	1	
6000	General fluorescent	Lighting		
9001	GPO: Double	Power	1	

Indian HFG Standard Components

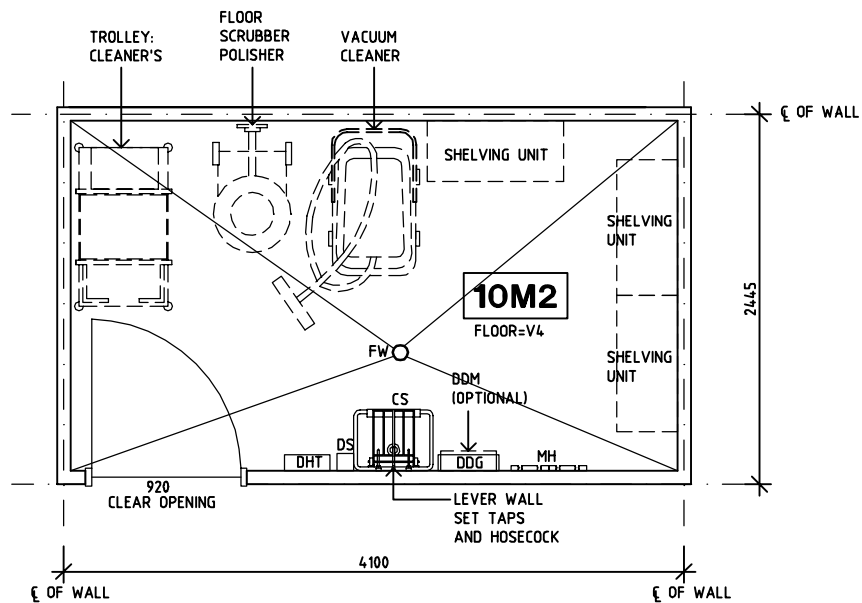
Room Layout Sheet

Room Name **Cleaner's Room - 10m2**

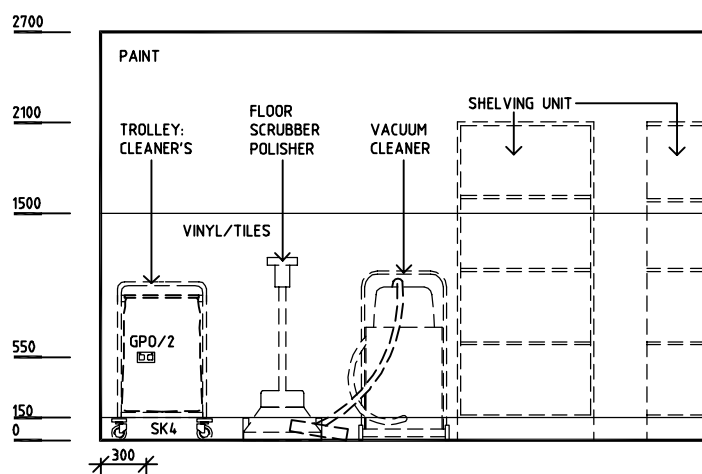
RLS Room Code **CLRM-10-IN**

RDS Room Code **CLRM-10-IN**

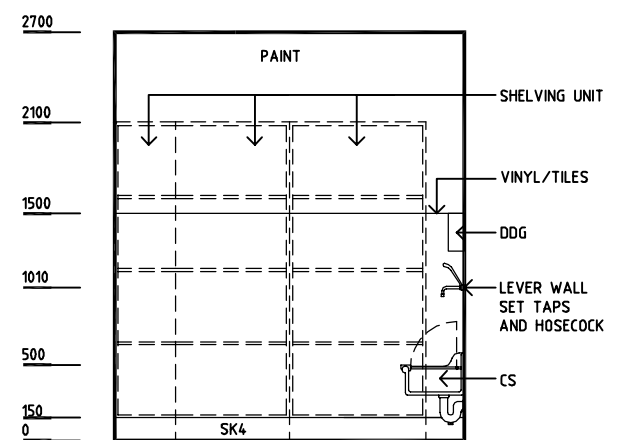
- CS CLEANER SINK
- DDG DISPENSER - DISPOSABLE GLOVE
- DDM DISPENSER - DETERGENT/CHEMICAL MIXER
- DHT DISPENSER - HAND TOWEL
- DP DOOR AND DOOR FRAME PROTECTION
- DS DISPENSER - SOAP
- FW FLOOR WASTE
- GPO/2 GENERAL PURPOSE OUTLET - DOUBLE
- LS LIGHT SWITCH
- MH MOP HOOK
- SK4 FLOOR VINYL COVERED SKIRTING
- V4 VINYL FLOORING, SAFETY



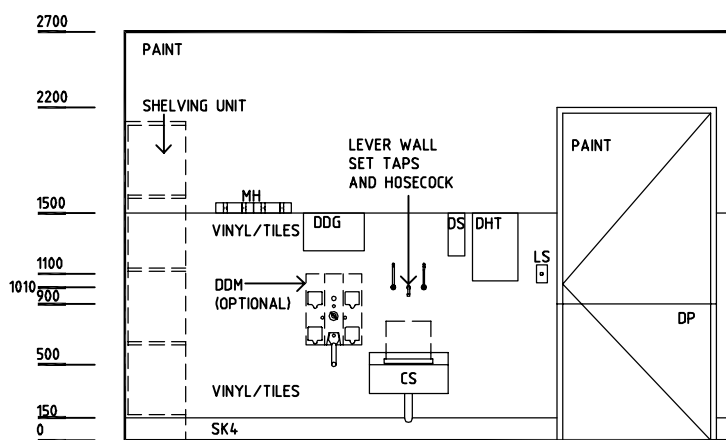
PLAN



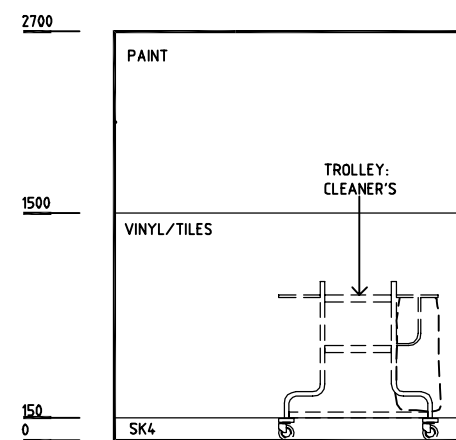
ELEVATION 1



ELEVATION 2



ELEVATION 3



ELEVATION 4

REV	DESCRIPTION	DATE	BY	REV	DESCRIPTION	DATE	BY	REV	DESCRIPTION	DATE	BY
1	FIRST ISSUE	24.02.2014	AA								

	Indian Health Facility Guidelines <small>Indian Health Facility Guidelines at: www.healthdesign.com.au/ihfg Editable version of Standard Components on Health Facility Briefing System (HFBS) at: www.healthdesign.com.au Provided by TAHPI</small>	DESIGNED	APPROVED	DATE	SCALE(S)	SHEET
		CC	DB	24.10.2010	1:50 in A3	1 of 1
		CAD FILE NAME		PAPER DRAWING ID		ISSUE
CLRM-10-IN		CLRM-10-IN		1		

This document is for advisory purpose only

Department	Indian Health Facility Guidelines	Room Tag:	1850
Room Name	Cleaner's Room, 10m2	Room Code:	CLRM-10-IN
Net Room Area Briefed	10.0 M2		
No of Rooms	1		
Subtotal of Briefed Area	10.00 M2		
Hours of Operation	24 Hours		
Occupancy	1 - 2 intermittently		
Also covers these Rooms			
Description/ Special Requirements	A secure room for the storage and decanting of cleaning materials and agents, storage of cleaning equipment and trolley, washing and storage of mops, buckets, brooms etc. and for waste disposal. The larger floor area provides for additional storage or trolley holding.		
Amendment	05.03.2014 - Issue 1		

Room Fabric and outline specifications

ID	Fabric	Material	Finish	Specification	Selection	Remarks
5023	Ceiling	Plasterboard	Prefinished	Water resistant, drop in tiles, 600x1200		
6025	Cornice	Aluminium	Powdercoat	shadow line		
8040	Door protection	Composite	Prefinished PVC	To door frame		
8010	Door protection	Composite	Prefinished PVC	Protection plate to 900 AFFL		
9001	Doors	Solid Core	Paint	Single leaf		920mm clear opening; lock set
1020	Floor finish	Vinyl, non-slip	Safety	Seamless, coved		
2000	Skirting	Vinyl	Prefinished	Floor vinyl coved, 150 mmH		
3000	Wall finish	Paint	Acrylic, washable			
3052	Wall finish	Vinyl	Prefinished	Wall vinyl to 1500AFFL		tiles also acceptable

Fittings and Furniture (FF)

ID	Description	Category	Group	Qty	Selection / Remarks
6152	Dispenser: disposable glove	Furniture/ Fitting	2	1	
6154	Dispenser: paper/ hand towel	Furniture/ Fitting	2	1	
6156	Dispenser: soap	Furniture/ Fitting	2	1	
1485	Hook rack: broom/ mop	Metalwork	1	1	4 hooks, on mounting plate
13660	Metal shelving: 900x400x2100	Furniture/ Fitting	3	3	heavy duty
3200	Trolley: cleaner's	Furniture/ Fitting	3	1	

Fixtures, Equipment and associated Services (FE)

ID	Description	Group	Qty	Ele	Data	CdW	HtW	WmW	Tap	Dns	Gas	Selection / Remarks
9300	Dispenser: detergent/ chemical mixer	2	1	___	___	yes	___	___	yes	___	___	optional
40600	Polisher scrubber: floor	3	1	yes	___	___	___	___	___	___	___	



Department Indian Health Facility Guidelines
 Room Name Cleaner's Room, 10m2

Room Tag: 1850
 Room Code: CLRМ-10-IN

ID	Description	Group	Qty	Ele	Data	CdW	HtW	WmW	Tap	Dns	Gas	Selection / Remarks
49200	Sink: cleaner	1	1	___	___	yes	yes	___	yes	yes	___	
58400	Vacuum cleaner: commercial	3	1	yes	___	___	___	___	___	___	___	

Services

ID	Description	Service Category	Qty	Selection / Remarks
5019	Exhaust	HVAC		
5015	Ventilation	HVAC		
4050	Cold water: hosecock	Hydraulics	1	to chemical mixer if required
4033	Floor waste	Hydraulics	1	
6000	General fluorescent	Lighting		
9001	GPO: Double	Power	1	