

# Indian HFG Standard Components

Room Layout Sheet

Room Name **Change - Staff (Male/Female), 10m<sup>2</sup>**

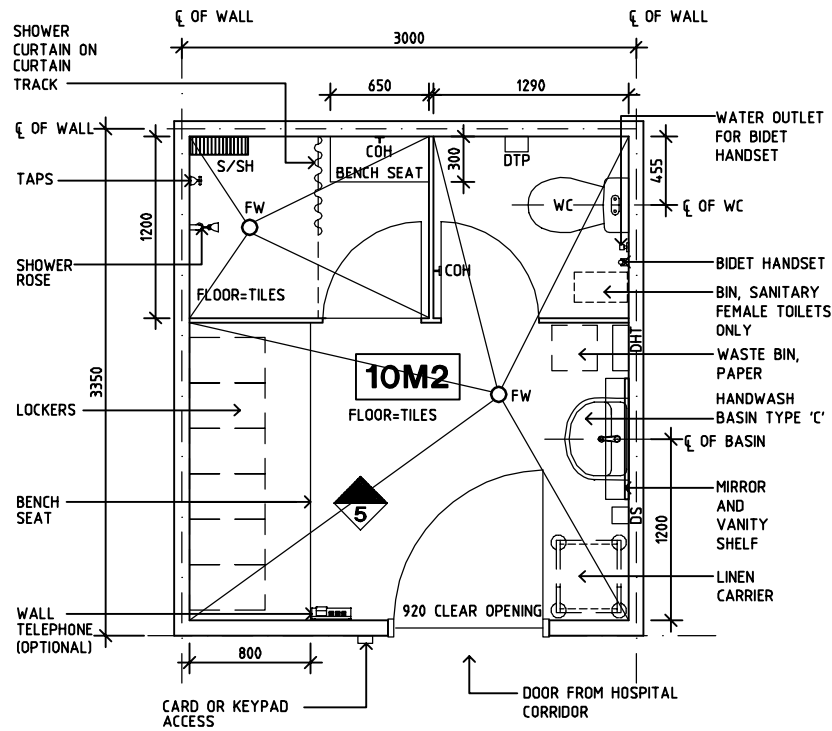
RLS Room Code

**CHST-10-IN**

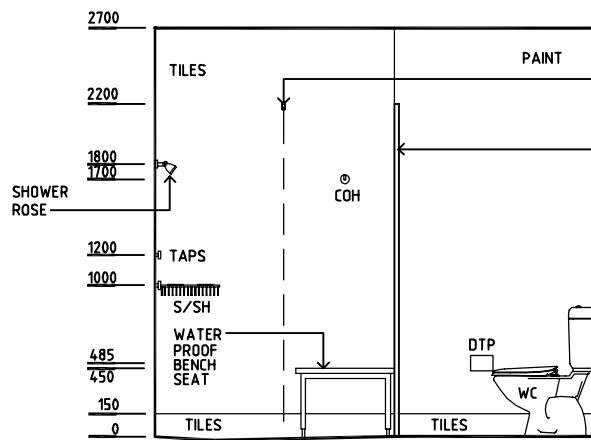
RDS Room Code

CHST-10-IN

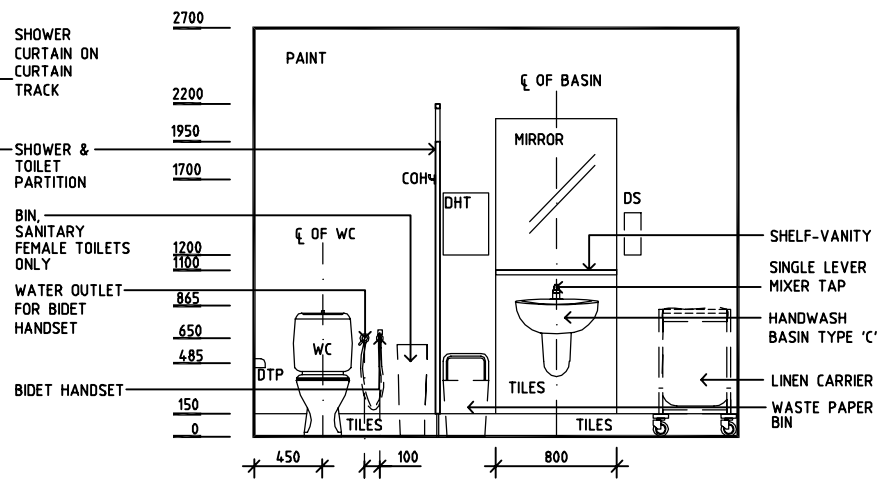
- COH COAT HOOK
- DS DISPENSER - SOAP
- DHT DISPENSER - HAND TOWEL
- DTP DISPENSER - TOILET PAPER
- FW FLOOR WASTE
- GPO/2 GENERAL PURPOSE OUTLET-DOUBLE
- LS LIGHT SWITCH
- S/SH SOAP/SHAMPOO HOLDER
- WC WATER CLOSET
- WT WALL TELEPHONE



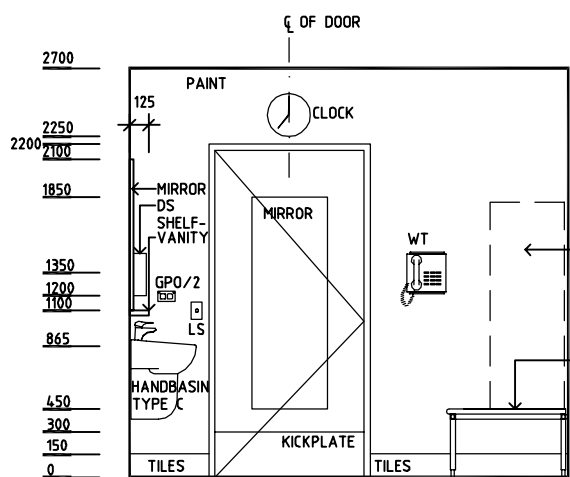
**PLAN**



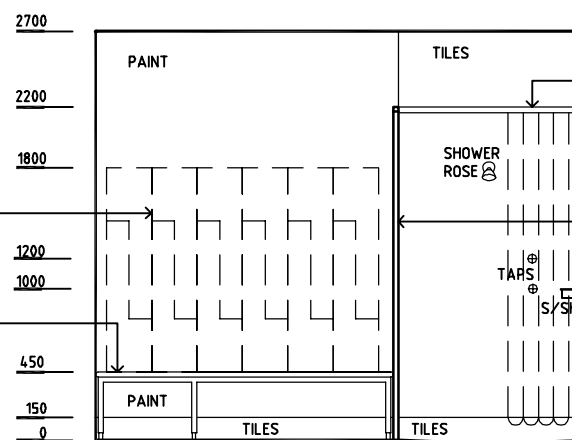
**ELEVATION 1**



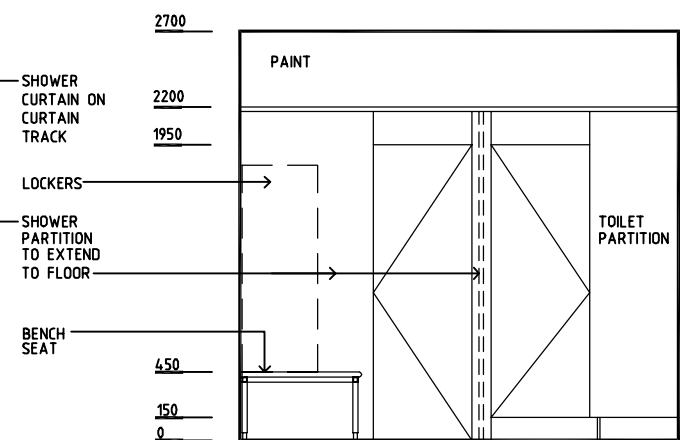
**ELEVATION 2**



**ELEVATION 3**



**ELEVATION 4**



**ELEVATION 5**

REV	DESCRIPTION	DATE	BY	REV	DESCRIPTION	DATE	BY	REV	DESCRIPTION	DATE	BY
1	FIRST ISSUE	24.02.2014	AA								



**Indian Health Facility Guidelines**

Indian Health Facility Guidelines at:  
[www.healthdesign.com.au/ihfg](http://www.healthdesign.com.au/ihfg)  
 Editable version of Standard Components on  
 Health Facility Briefing System (HFBS) at:  
[www.healthdesign.com.au](http://www.healthdesign.com.au)  
 Provided by TAHPI

DESIGNED	APPROVED	DATE	SCALE(S)	SHEET
CC	DB	24.10.2010	1:50 in A3	1 of 1
CAD FILE NAME		PAPER DRAWING ID		ISSUE
CHST-10-IN		CHST-10-IN		1

This document is for advisory purpose only

<b>Department</b>	Indian Health Facility Guidelines	<b>Room Tag:</b>	1760
<b>Room Name</b>	Change - Staff (Male/Female), 10m2	<b>Room Code:</b>	CHST-10-IN
<b>Net Room Area Briefed</b>	10.0 M2		
<b>No of Rooms</b>	1		
<b>Subtotal of Briefed Area</b>	10.00 M2		
<b>Hours of Operation</b>	24 Hours		
<b>Occupancy</b>	Up to 3		
<b>Also covers these Rooms</b>			
<b>Description/ Special Requirements</b>	<p>Staff Change areas are provided for staff to change into appropriate work clothing or gowns, to store their street clothing and to perform personal ablutions. Change Rooms should be divided into Male and Female areas on a proportional basis and will include Showers, Toilets and handbasins. Secure storage for personal property will be required. Secured, staff only access to Change Rooms is required.</p> <p>Acoustics: Sound attenuation level - medium; acoustic privacy required.</p>		
<b>Amendment</b>	05.03.2014 - Issue 1		

**Room Fabric and outline specifications**

ID	Fabric	Material	Finish	Specification	Selection	Remarks
5060	Ceiling	Acoustic	Prefinished	Drop-in tiles, 600x1200		
6025	Cornice	Aluminium	Powdercoat	shadow line		
8000	Door protection	Vinyl	Prefinished	Kickplate, 300mm high		
9001	Doors	Solid Core	Paint	Single leaf		920mm clear; Secure staff only access
1175	Floor finish	Tiles	Non-slip	Ceramic		non-slip vinyl & studded vinyl to wet areas also acceptable
2145	Skirting	Tiles	To match floor	Coved		vinyl also acceptable
3000	Wall finish	Paint	Acrylic, washable			
3085	Wall finish	Tiles	Glazed	Splashback		vinyl also acceptable
3080	Wall finish	Tiles	Glazed	Full height		to wet areas; full height vinyl also acceptable

**Fittings and Furniture (FF)**

ID	Description	Category	Group	Qty	Selection / Remarks
1000	Bench seat	Furniture/ Fitting	1	1	to shower cubicle
1000	Bench seat	Furniture/ Fitting	1	1	under lockers
3350	Clock: battery operated	Furniture/ Fitting	3	1	
3400	Coathook	Metalwork	1	2	WC / Shower cubicles
4800	Curtain track: shower	Metalwork	1	1	
5300	Curtain: shower	Furniture/ Fitting	3	1	
6154	Dispenser: paper/ hand towel	Furniture/ Fitting	2	1	to basin
6156	Dispenser: soap	Furniture/ Fitting	2	1	to basin



Department Indian Health Facility Guidelines  
 Room Name Change - Staff (Male/Female), 10m2

Room Tag: 1760  
 Room Code: CHST-10-IN

ID	Description	Category	Group	Qty	Selection / Remarks
6160	Dispenser: toilet paper	Furniture/ Fitting	1	1	
12509	Locker: 2 tier	Furniture/ Fitting	3	6	12 half lockers
13700	Mirror	Metalwork	1	1	full height, dressing
13700	Mirror	Metalwork	1	1	above basin
20055	Partitions: shower	Furniture/ Fitting	1	1	
23610	Partitions: toilet	Furniture/ Fitting	1	1	
19910	Shelf: vanity	Furniture/ Fitting	1	1	above basin
20650	Soap/ shampoo holder	Furniture/ Fitting	1	1	to shower cubicle
24100	Waste bin: paper, 20 Litre	Furniture/ Fitting	3	1	to basin
19100	Waste bin: sanitary	Furniture/ Fitting	3	1	to Female Change Rooms

**Fixtures, Equipment and associated Services (FE)**

ID	Description	Group	Qty	Ele	Data	CdW	HtW	WmW	Tap	Dns	Gas	Selection / Remarks
2850	Basin: handwash, Type C	1	1	___	___	yes	___	yes	yes	yes	___	refer to BHWS-C-U (sim)
3003	Bidet handset	1	1	___	___	___	___	yes	yes	___	___	
47500	Shower: fixed rose	1	1	___	___	yes	___	yes	yes	yes	___	
54510	Telephone: handset, standard	3	1	___	yes	___	___	___	___	___	___	wall phone, optional
55600	Toilet suite: standard	1	1	___	___	yes	___	___	yes	yes	___	

**Services**

ID	Description	Service Category	Qty	Selection / Remarks
1000	Telephone: PABX	Communications	1	wall phone optional
5000	Airconditioning	HVAC		
5019	Exhaust	HVAC		
4033	Floor waste	Hydraulics	3	
6000	General fluorescent	Lighting		
9060	GPO: Special: for equipment	Power	1	for hair dryer & shaver use only; to comply with relevant electric safety guidelines
10040	Key pad access	Security	1	or card access to door



# Indian HFG Standard Components

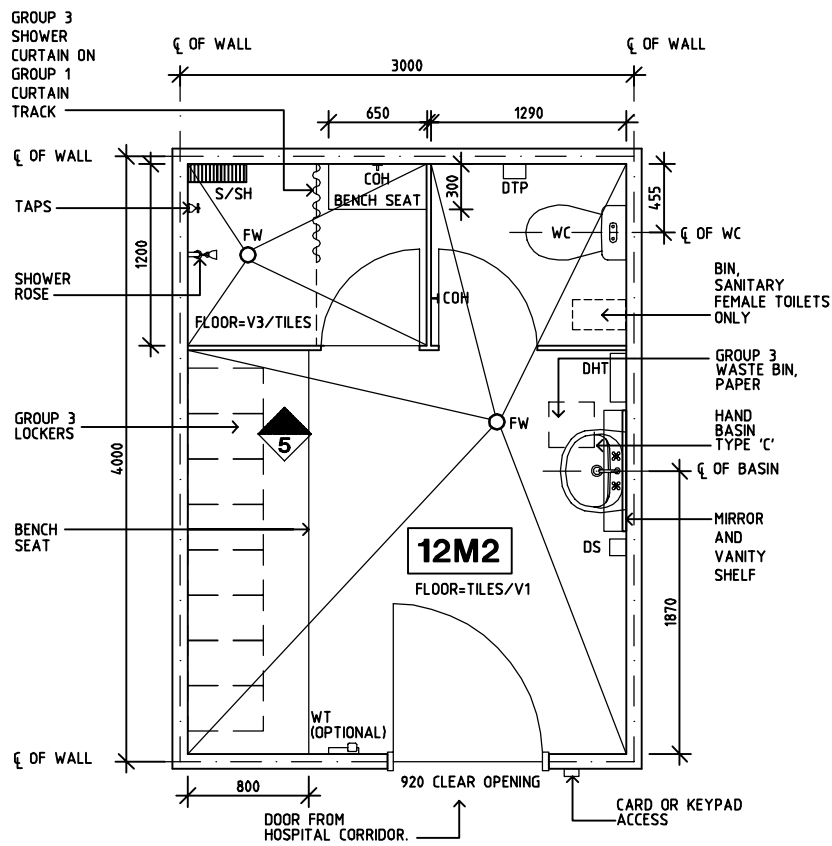
Room Layout Sheet

Room Name **Change - Staff (Male/Female), 12m2**

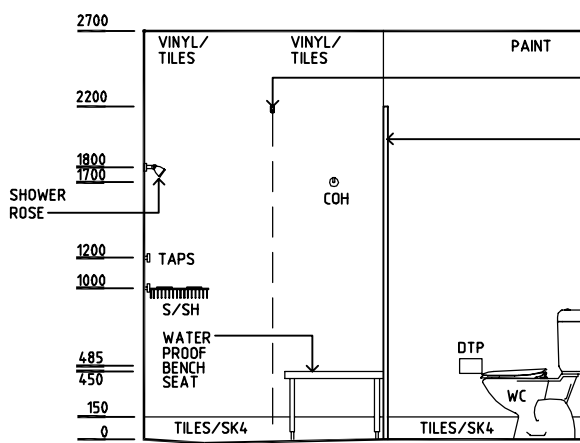
RLS Room Code **CHST-12-IN**

RDS Room Code **CHST-12-IN**

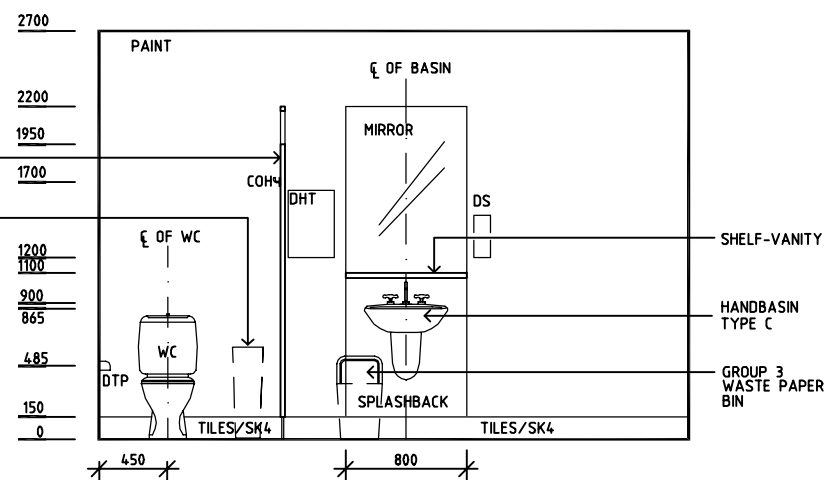
- COH COAT HOOK
- DS DISPENSER - SOAP
- DHT DISPENSER - HAND TOWEL
- DTP DISPENSER - TOILET PAPER
- FW FLOOR WASTE
- GPO/2 GENERAL PURPOSE OUTLET-DOUBLE
- LS LIGHT SWITCH
- SK4 FLOOR VINYL COVERED SKIRTING
- S/SH SOAP/SHAMPOO HOLDER
- V1 FLOOR VINYL, STANDARD
- V3 FLOOR VINYL, STUDDED
- WT WALL TELEPHONE



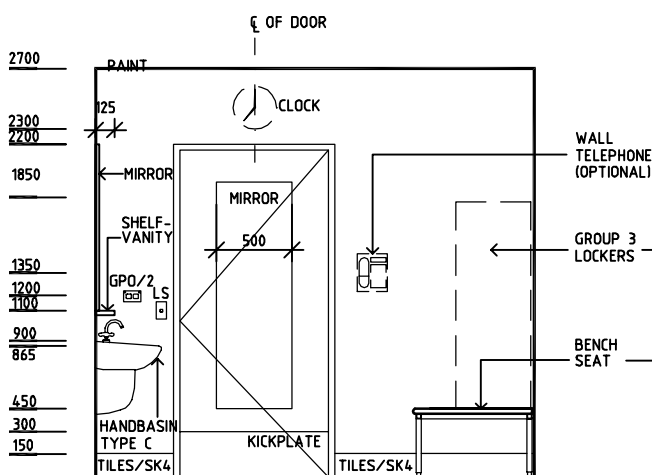
**PLAN**



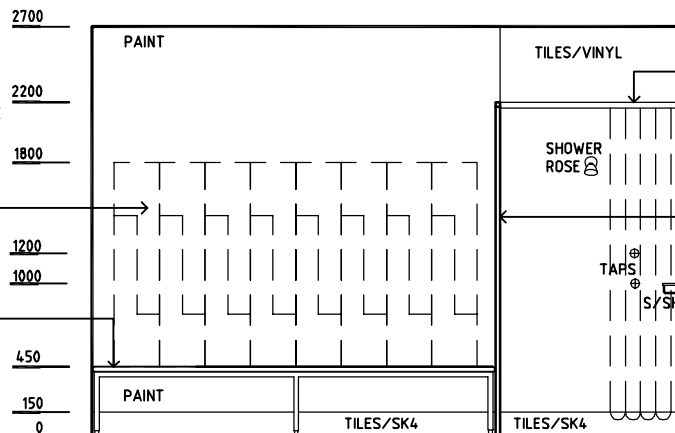
**ELEVATION 1**



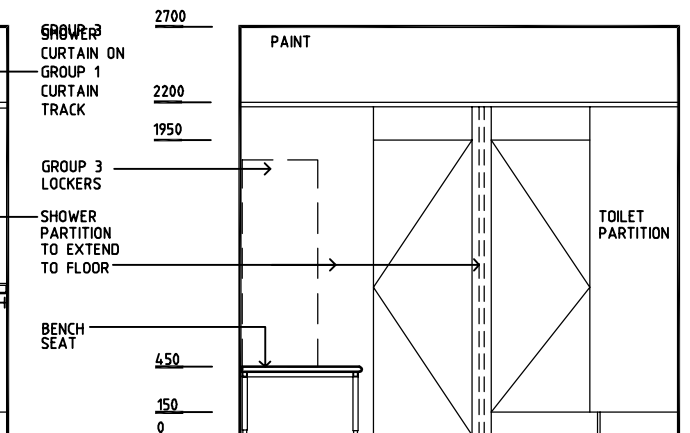
**ELEVATION 2**



**ELEVATION 3**




**ELEVATION 4**



**ELEVATION 5**

REV	DESCRIPTION	DATE	BY	REV	DESCRIPTION	DATE	BY	REV	DESCRIPTION	DATE	BY
1	FIRST ISSUE	24.02.2014	AA								

 <b>Indian Health Facility Guidelines</b>	Indian Health Facility Guidelines at: <a href="http://www.healthdesign.com.au/ihfg">www.healthdesign.com.au/ihfg</a> Editable version of Standard Components on Health Facility Briefing System (HFBS) at: <a href="http://www.healthdesign.com.au">www.healthdesign.com.au</a> Provided by TAHPI		DESIGNED	APPROVED	DATE	SCALE(S)	SHEET
	CC	DB	24.10.2010	1:50 in A3	1 of 1		
	CAD FILE NAME		PAPER DRAWING ID		ISSUE		
CHST-12-IN		CHST-12-IN		1			

<b>Department</b>	Indian Health Facility Guidelines	<b>Room Tag:</b>	1765
<b>Room Name</b>	Change - Staff (Male/Female), 12m2	<b>Room Code:</b>	CHST-12-IN
<b>Net Room Area Briefed</b>	12.0 M2		
<b>No of Rooms</b>	1		
<b>Subtotal of Briefed Area</b>	12.00 M2		
<b>Hours of Operation</b>	24 Hours		
<b>Occupancy</b>	Up to 4		
<b>Also covers these Rooms</b>			
<b>Description/ Special Requirements</b>	<p>Staff Change areas are provided for staff to change into appropriate work clothing or gowns, to store their street clothing and to perform personal ablutions. Change Rooms should be divided into Male and Female areas on a proportional basis and will include Showers, Toilets and handbasins. Secure storage for personal property will be required. Secured, staff only access to Change Rooms is required.</p> <p>Acoustics: Sound attenuation level - medium; acoustic privacy required.</p>		
<b>Amendment</b>	05.03.2014 - Issue 1		

**Room Fabric and outline specifications**

ID	Fabric	Material	Finish	Specification	Selection	Remarks
5060	Ceiling	Acoustic	Prefinished	Drop-in tiles, 600x1200		
6025	Cornice	Aluminium	Powdercoat	shadow line		
8000	Door protection	Vinyl	Prefinished	Kickplate, 300mm high		
9001	Doors	Solid Core	Paint	Single leaf		920mm clear; Secure staff only access
1175	Floor finish	Tiles	Non-slip	Ceramic		non slip vinyl floor also acceptable
2145	Skirting	Tiles	To match floor	Coved		or floor vinyl coved skirting
3000	Wall finish	Paint	Acrylic, washable			
3080	Wall finish	Tiles	Glazed	Full height		to wet areas; vinyl also acceptable
3085	Wall finish	Tiles	Glazed	Splashback		vinyl also acceptable

**Fittings and Furniture (FF)**

ID	Description	Category	Group	Qty	Selection / Remarks
1000	Bench seat	Furniture/ Fitting	1	1	To shower cubicle
1000	Bench seat	Furniture/ Fitting	1	1	under lockers
3350	Clock: battery operated	Furniture/ Fitting	3	1	
3400	Coathook	Metalwork	1	2	1-WC cubicle; 1- Shower cubicle
4800	Curtain track: shower	Metalwork	1	1	
5300	Curtain: shower	Furniture/ Fitting	3	1	
6154	Dispenser: paper/ hand towel	Furniture/ Fitting	2	1	to basin
6156	Dispenser: soap	Furniture/ Fitting	2	1	to basin
6160	Dispenser: toilet paper	Furniture/ Fitting	1	1	

Department Indian Health Facility Guidelines  
 Room Name Change - Staff (Male/Female), 12m2

Room Tag: 1765  
 Room Code: CHST-12-IN

ID	Description	Category	Group	Qty	Selection / Remarks
12509	Locker: 2 tier	Furniture/ Fitting	3	8	16 half lockers
13700	Mirror	Metalwork	1	1	full height, dressing
13700	Mirror	Metalwork	1	1	above basin
20055	Partitions: shower	Furniture/ Fitting	1	1	
23610	Partitions: toilet	Furniture/ Fitting	1	1	
19910	Shelf: vanity	Furniture/ Fitting	1	1	above basin
20650	Soap/ shampoo holder	Furniture/ Fitting	1	1	to shower cubicle
24100	Waste bin: paper, 20 Litre	Furniture/ Fitting	3	1	to basin
19100	Waste bin: sanitary	Furniture/ Fitting	3	1	to Female Change Rooms

**Fixtures, Equipment and associated Services (FE)**

ID	Description	Group	Qty	Ele	Data	CdW	HtW	WmW	Tap	Dns	Gas	Selection / Remarks
2850	Basin: handwash, Type C	1	1	___	___	yes	___	yes	yes	yes	___	refer to BHWS-C-U (sim)
3003	Bidet handset	1	1	___	___	___	___	yes	yes	___	___	
47500	Shower: fixed rose	1	1	___	___	yes	___	yes	yes	yes	___	
54510	Telephone: handset, standard	3	1	___	yes	___	___	___	___	___	___	wall phone, optional
55600	Toilet suite: standard	1	1	___	___	yes	___	___	yes	yes	___	

**Services**

ID	Description	Service Category	Qty	Selection / Remarks
1000	Telephone: PABX	Communications	1	wall phone optional
5000	Airconditioning	HVAC		
5019	Exhaust	HVAC		
4033	Floor waste	Hydraulics	3	
6000	General fluorescent	Lighting		
9060	GPO: Special: for equipment	Power	1	for hair dryer & shaver use only; to comply with relevant electric safety guidelines
10040	Key pad access	Security	1	or card access to door

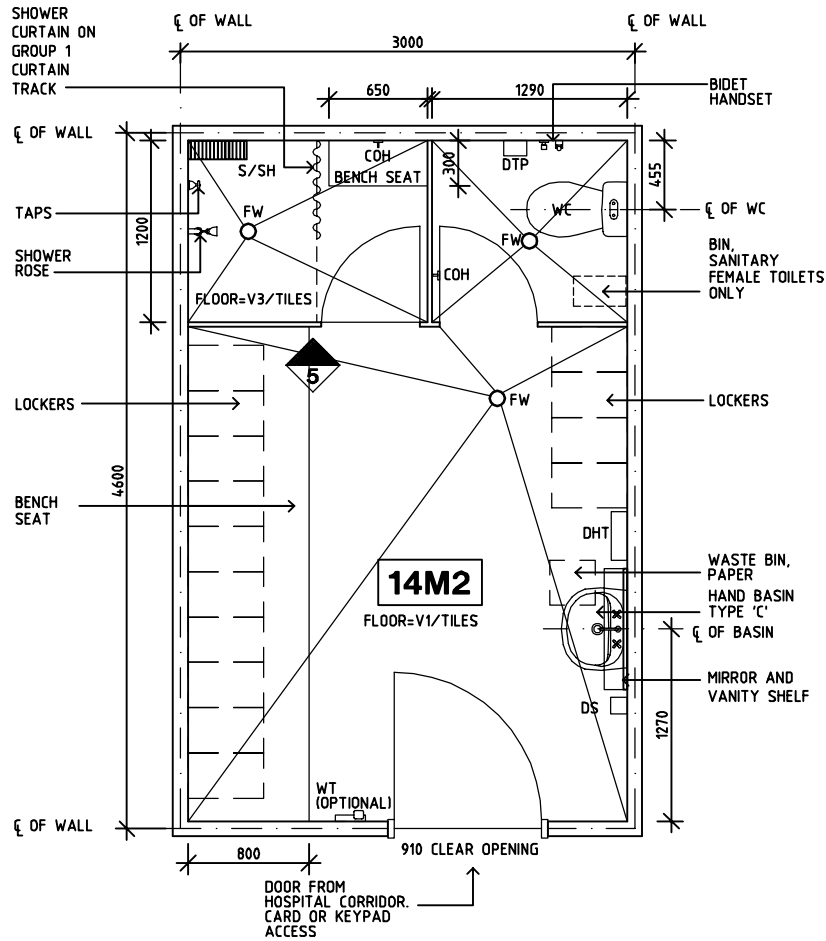
# Indian HFG Standard Components

Room Layout Sheet

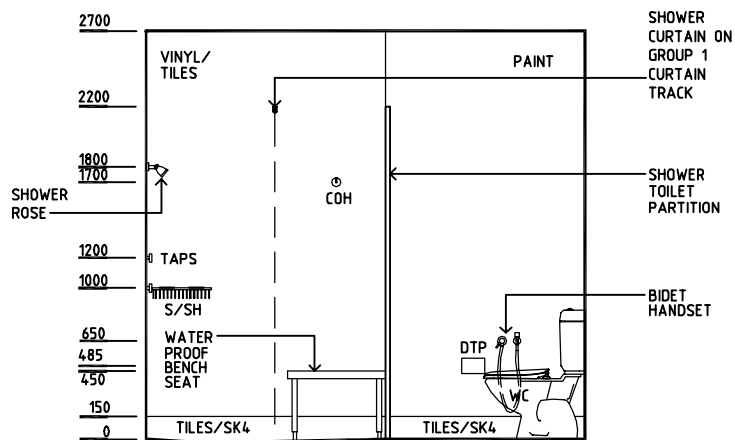
Room Name **Change - Staff (Male/Female), 14m<sup>2</sup>**

RLS Room Code **CHST-14-IN**  
RDS Room Code **CHST-14-IN**

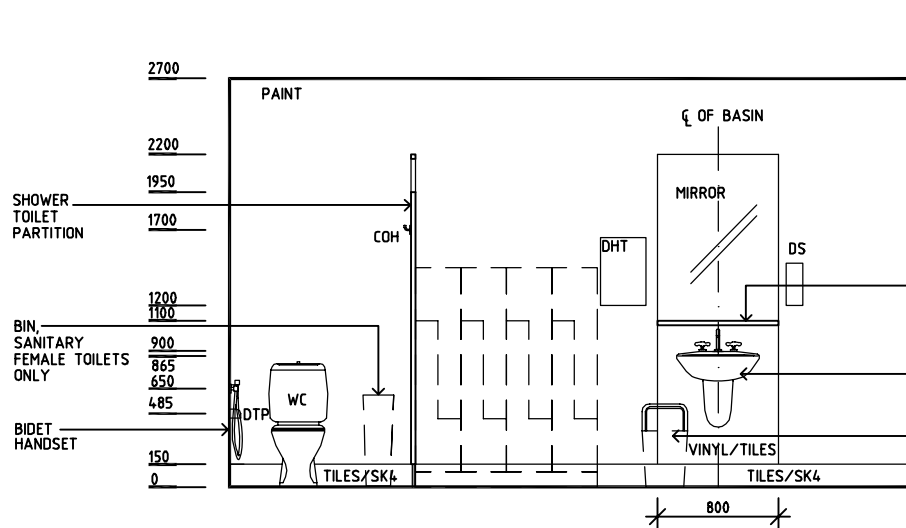
- COH COAT HOOK
- DS DISPENSER - SOAP
- DHT DISPENSER - HAND TOWEL
- DTP DISPENSER - TOILET PAPER
- FW FLOOR WASTE
- GPO/2 GENERAL PURPOSE OUTLET-DOUBLE
- LS LIGHT SWITCH
- SK4 FLOOR VINYL COVERED SKIRTING
- S/SH SOAP/SHAMPOO HOLDER
- V1 FLOOR VINYL, STANDARD
- V3 FLOOR VINYL, STUDDED



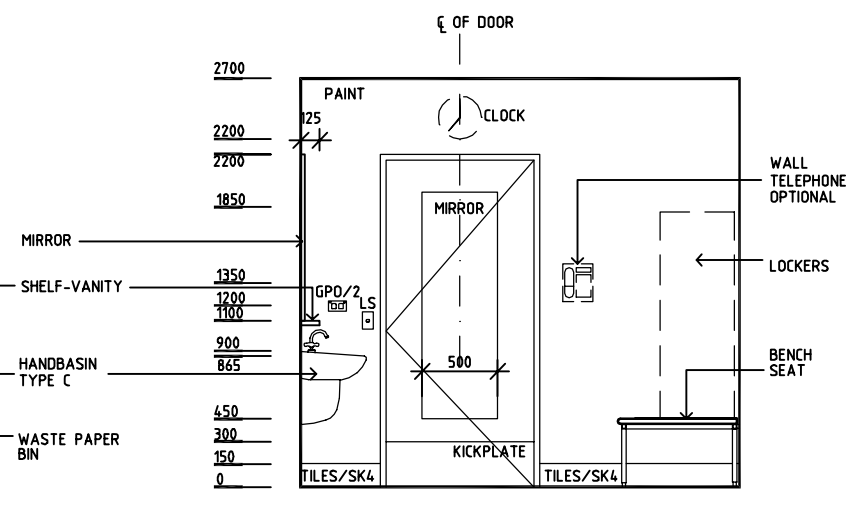
**PLAN**



**ELEVATION 1**



**ELEVATION 2**



**ELEVATION 3**

REV	DESCRIPTION	DATE	BY	REV	DESCRIPTION	DATE	BY	REV	DESCRIPTION	DATE	BY
1	FIRST ISSUE	24.02.2014	AA								

	<b>Indian Health Facility Guidelines</b>	Indian Health Facility Guidelines at: <a href="http://www.healthdesign.com.au/ihfg">www.healthdesign.com.au/ihfg</a> Editable version of Standard Components on Health Facility Briefing System (HFBS) at: <a href="http://www.healthdesign.com.au">www.healthdesign.com.au</a> Provided by TAHPI	DESIGNED CC	APPROVED DB	DATE 24.10.10	SCALE(S) 1:50 in A3	SHEET 1 of 2
	CAD FILE NAME CHST-14-IN		PAPER DRAWING ID CHST-14-INa		ISSUE 1		

This document is for advisory purpose only

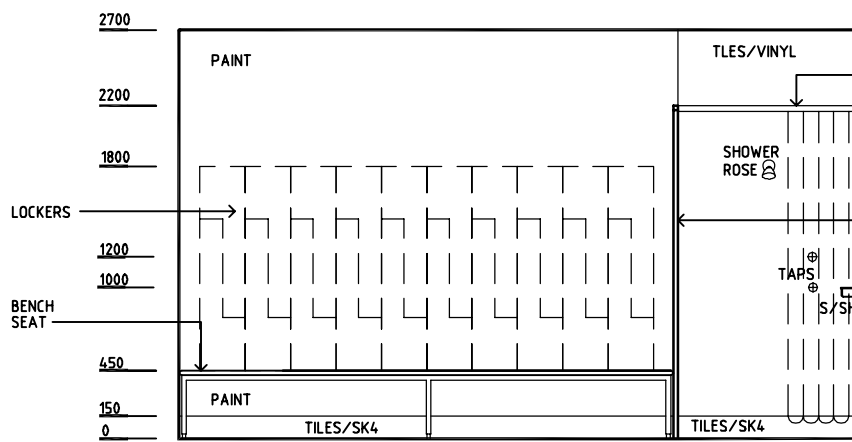
# Indian HFG Standard Components

Room Layout Sheet

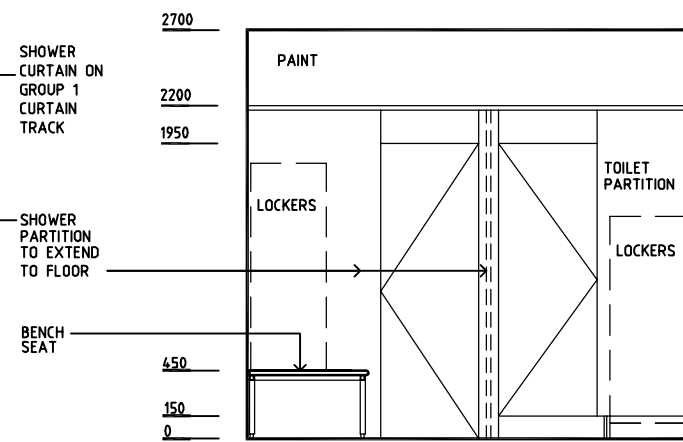
Room Name **Change - Staff (Male/Female), 14m2**

RLS Room Code **CHST-14-IN**  
RDS Room Code **CHST-14-IN**

- COH COAT HOOK
- DS DISPENSER - SOAP
- DHT DISPENSER - HAND TOWEL
- DTP DISPENSER - TOILET PAPER
- FW FLOOR WASTE
- GPO/2 GENERAL PURPOSE OUTLET-DOUBLE
- LS LIGHT SWITCH
- SK4 FLOOR VINYL COVERED SKIRTING
- S/SH SOAP/SHAMPOO HOLDER
- V1 FLOOR VINYL, STANDARD
- V3 FLOOR VINYL, STUDDED




**ELEVATION 4**



**ELEVATION 5**

REV	DESCRIPTION	DATE	BY	REV	DESCRIPTION	DATE	BY	REV	DESCRIPTION	DATE	BY
1	FIRST ISSUE	24.02.2014	AA								

 <b>Indian Health Facility Guidelines</b>	<small>Indian Health Facility Guidelines at: www.healthdesign.com.au/ihfg Editable version of Standard Components on Health Facility Briefing System (HFBS) at: www.healthdesign.com.au Provided by TAHPI</small>		DESIGNED	APPROVED	DATE	SCALE(S)	SHEET
	CC	DB	24.10.10	1:50 in A3	2 of 2		
	CAD FILE NAME		PAPER DRAWING ID		ISSUE		
CHST-14-IN		CHST-14-INb		1			

<b>Department</b>	Indian Health Facility Guidelines	<b>Room Tag:</b>	1770
<b>Room Name</b>	Change - Staff (Male/Female), 14m2	<b>Room Code:</b>	CHST-14-IN
<b>Net Room Area Briefed</b>	14.0 M2		
<b>No of Rooms</b>	1		
<b>Subtotal of Briefed Area</b>	14.00 M2		
<b>Hours of Operation</b>	24 Hours		
<b>Occupancy</b>	Up to 4		
<b>Also covers these Rooms</b>			
<b>Description/ Special Requirements</b>	<p>Staff Change areas are provided for staff to change into appropriate work clothing or gowns, to store their street clothing and to perform personal ablutions. Change Rooms should be divided into Male and Female areas on a proportional basis and will include Showers, Toilets and handbasins. Secure storage for personal property will be required. Secured, staff only access to Change Rooms is required.</p> <p>Acoustics: Sound attenuation level - medium; acoustic privacy required.</p>		
<b>Amendment</b>	05.03.2014 - Issue 1		

**Room Fabric and outline specifications**

ID	Fabric	Material	Finish	Specification	Selection	Remarks
5060	Ceiling	Acoustic	Prefinished	Drop-in tiles, 600x1200		
6025	Cornice	Aluminium	Powdercoat	shadow line		
8000	Door protection	Vinyl	Prefinished	Kickplate, 300mm high		
9001	Doors	Solid Core	Paint	Single leaf		920mm clear; Secure staff only access
1175	Floor finish	Tiles	Non-slip	Ceramic		non slip vinyl floor also acceptable
2145	Skirting	Tiles	To match floor	Coved		or floor vinyl coved skirting
3000	Wall finish	Paint	Acrylic, washable			
3080	Wall finish	Tiles	Glazed	Full height		to wet areas; vinyl also acceptable
3085	Wall finish	Tiles	Glazed	Splashback		vinyl also acceptable

**Fittings and Furniture (FF)**

ID	Description	Category	Group	Qty	Selection / Remarks
1000	Bench seat	Furniture/ Fitting	1	1	To shower cubicle
1000	Bench seat	Furniture/ Fitting	1	1	under lockers
3350	Clock: battery operated	Furniture/ Fitting	3	1	
3400	Coathook	Metalwork	1	2	1-WC cubicle; 1- Shower cubicle
4800	Curtain track: shower	Metalwork	1	1	
5300	Curtain: shower	Furniture/ Fitting	3	1	
6154	Dispenser: paper/ hand towel	Furniture/ Fitting	2	1	to basin
6156	Dispenser: soap	Furniture/ Fitting	2	1	to basin
6160	Dispenser: toilet paper	Furniture/ Fitting	1	1	



Department Indian Health Facility Guidelines  
 Room Name Change - Staff (Male/Female), 14m2

Room Tag: 1770  
 Room Code: CHST-14-IN

ID	Description	Category	Group	Qty	Selection / Remarks
12509	Locker: 2 tier	Furniture/ Fitting	3	14	28 half lockers
13700	Mirror	Metalwork	1	1	full height, dressing
13700	Mirror	Metalwork	1	1	above basin
20055	Partitions: shower	Furniture/ Fitting	1	1	
23610	Partitions: toilet	Furniture/ Fitting	1	1	
19910	Shelf: vanity	Furniture/ Fitting	1	1	above basin
20650	Soap/ shampoo holder	Furniture/ Fitting	1	1	to shower cubicle
24100	Waste bin: paper, 20 Litre	Furniture/ Fitting	3	1	to basin
19100	Waste bin: sanitary	Furniture/ Fitting	3	1	to Female Change Rooms

**Fixtures, Equipment and associated Services (FE)**

ID	Description	Group	Qty	Ele	Data	CdW	HtW	WmW	Tap	Dns	Gas	Selection / Remarks
2850	Basin: handwash, Type C	1	1	___	___	yes	___	yes	yes	yes	___	refer to BHWS-C (sim)
3003	Bidet handset	1	1	___	___	___	___	yes	yes	___	___	
47500	Shower: fixed rose	1	1	___	___	yes	___	yes	yes	yes	___	
54510	Telephone: handset, standard	3	1	___	yes	___	___	___	___	___	___	wall phone, optional
55600	Toilet suite: standard	1	1	___	___	yes	___	___	yes	yes	___	

**Services**

ID	Description	Service Category	Qty	Selection / Remarks
1000	Telephone: PABX	Communications	1	wall phone optional
5000	Airconditioning	HVAC		
5019	Exhaust	HVAC		
4033	Floor waste	Hydraulics	3	
6000	General fluorescent	Lighting		
9060	GPO: Special: for equipment	Power	1	for hair dryer & shaver use only; to comply with relevant electric safety guidelines
10040	Key pad access	Security	1	or card access to door

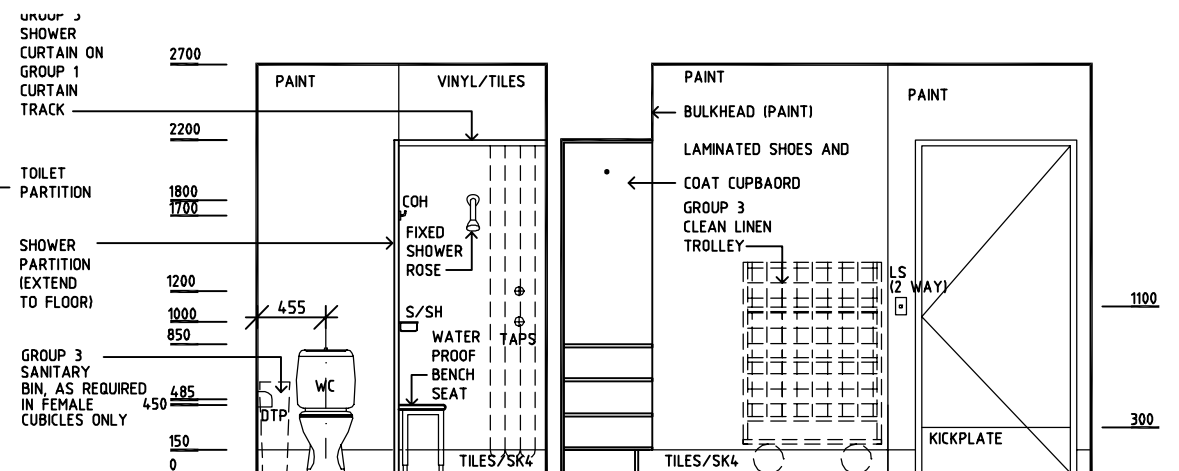
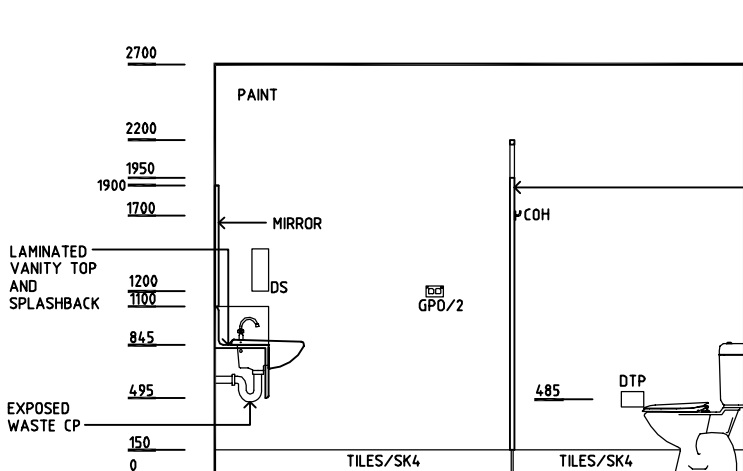
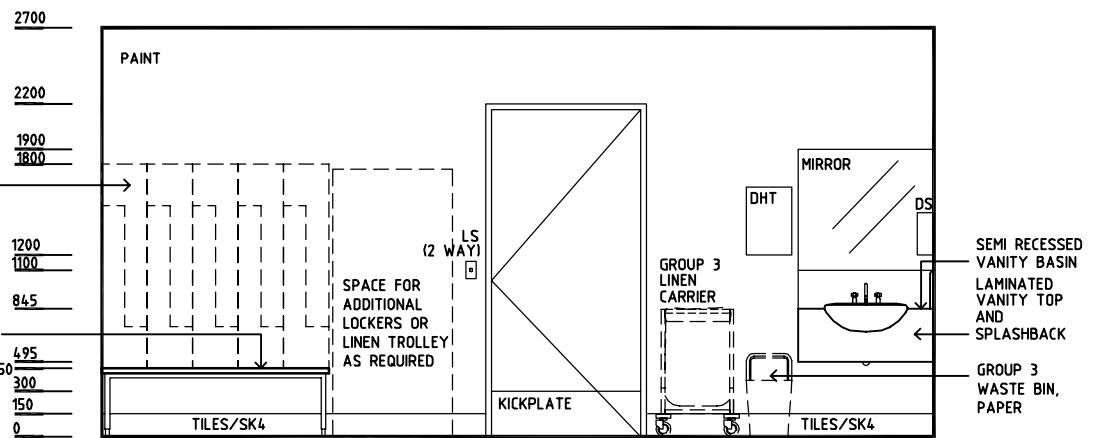
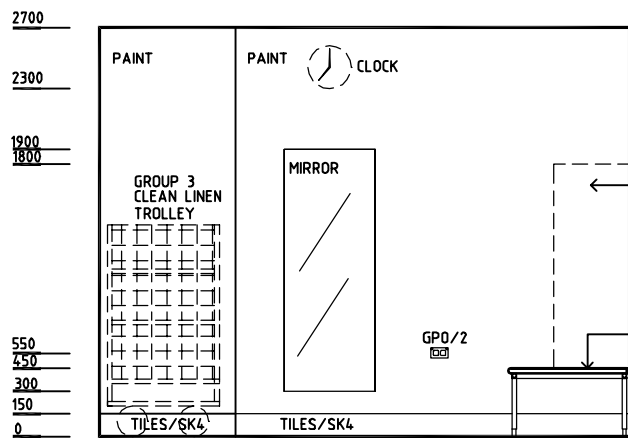
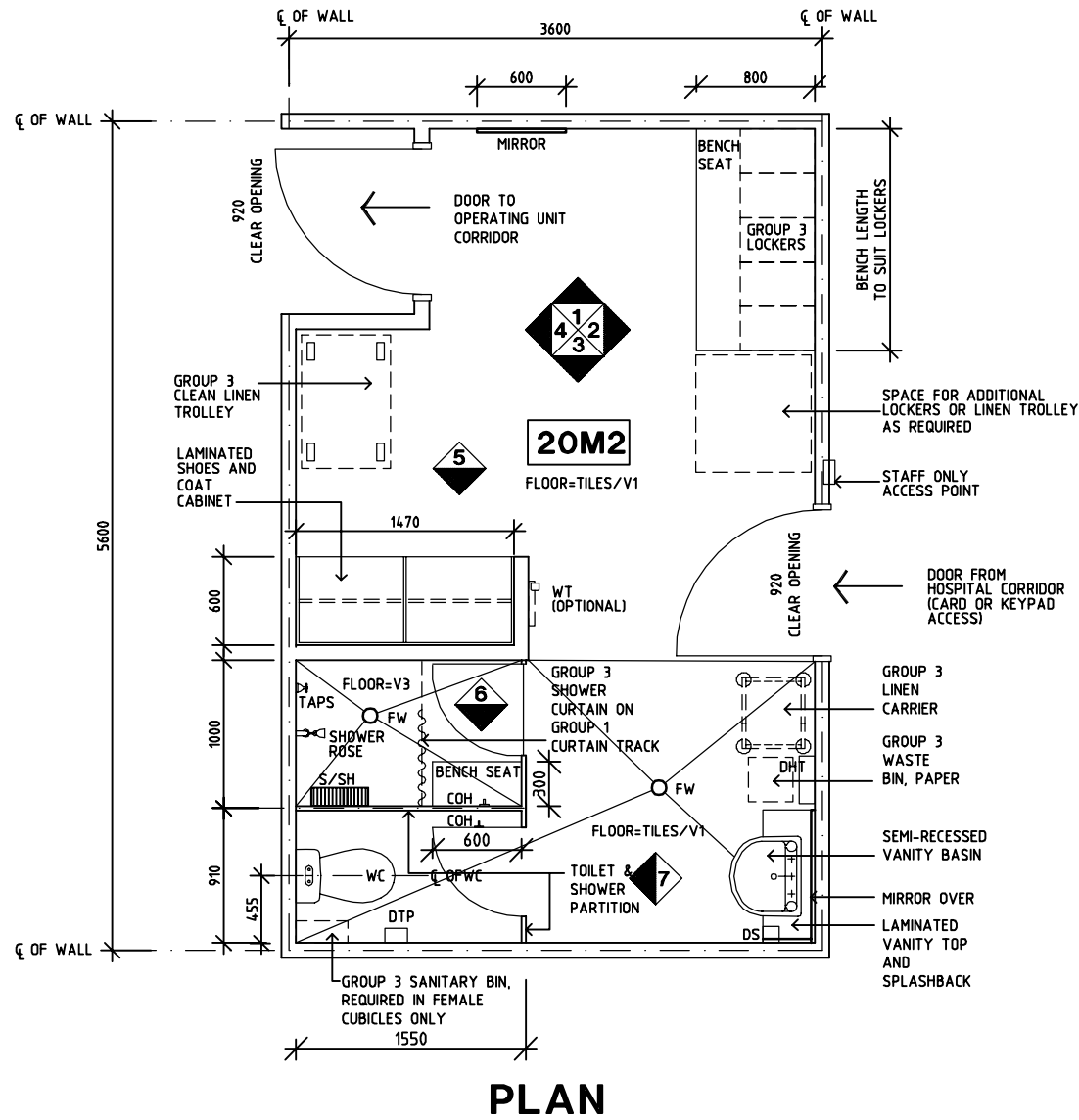
# Indian HFG Standard Components

Room Layout Sheet

Room Name **Change - Staff (Male/Female), 20m2**

RLS Room Code **CHST-20-IN**  
RDS Room Code **CHST-20-IN**

- CP CHROME PLATED
- COH COAT HOOK
- DS DISPENSER - SOAP
- DHT DISPENSER - HAND TOWEL
- DTP DISPENSER - TOILET PAPER
- FW FLOOR WASTE
- GPO/2 GENERAL PURPOSE OUTLET-DOUBLE
- LS LIGHT SWITCH
- S/SH SOAP/SHAMPOO HOLDER
- SK4 FLOOR VINYL COVERED SKIRTING
- V1 VINYL FLOORING - STANDARD
- V3 VINYL FLOORING - STUDDED
- WT WALL TELEPHONE



REV	DESCRIPTION	DATE	BY	REV	DESCRIPTION	DATE	BY	REV	DESCRIPTION	DATE	BY
1	FIRST ISSUE	24.02.2014	AA								

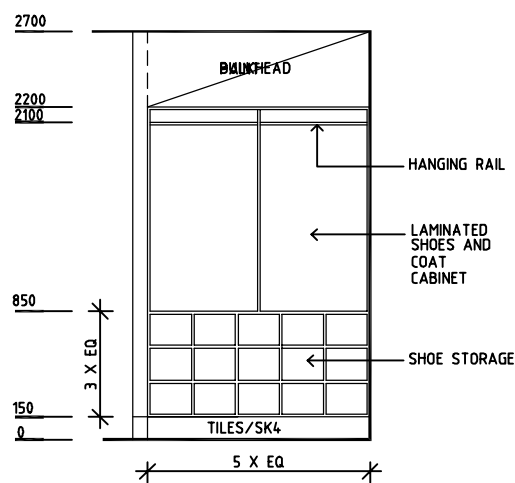
# Indian HFG Standard Components

Room Layout Sheet

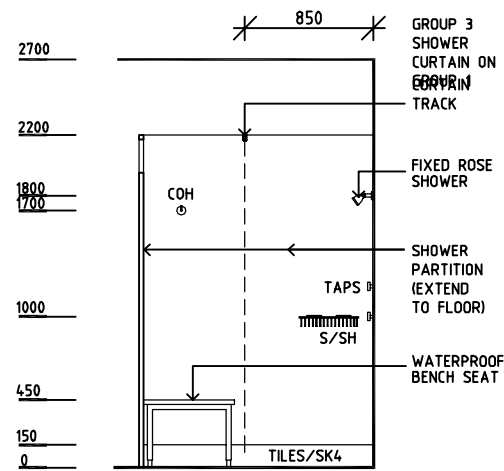
Room Name **Change - Staff (Male/Female), 20m2**

RLS Room Code **CHST-20-IN**  
RDS Room Code **CHST-20-IN**

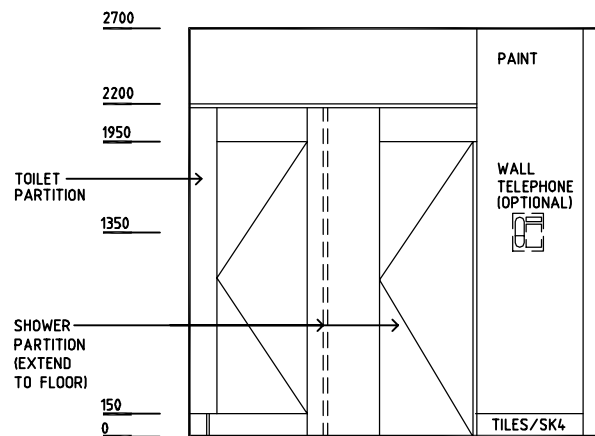
- |       |                               |
|-------|-------------------------------|
| CP    | CHROME PLATED                 |
| COH   | COAT HOOK                     |
| DS    | DISPENSER - SOAP              |
| DHT   | DISPENSER - HAND TOWEL        |
| DTP   | DISPENSER - TOILET PAPER      |
| FW    | FLOOR WASTE                   |
| GPO/2 | GENERAL PURPOSE OUTLET-DOUBLE |
| LS    | LIGHT SWITCH                  |
| S/SH  | SOAP/SHAMPOO HOLDER           |
| SK4   | FLOOR VINYL COVERED SKIRTING  |
| V1    | VINYL FLOORING - STANDARD     |
| V3    | VINYL FLOORING - STUDDED      |
| WT    | WALL TELEPHONE                |



**ELEVATION 5**



**ELEVATION 6**



**ELEVATION 7**

REV	DESCRIPTION	DATE	BY	REV	DESCRIPTION	DATE	BY	REV	DESCRIPTION	DATE	BY
1	FIRST ISSUE	24.02.2014	AA								



**Indian Health Facility Guidelines**

Indian Health Facility Guidelines at:  
www.healthdesign.com.au/ihfg  
Editable version of Standard Components on  
Health Facility Briefing System (HFBS) at:  
www.healthdesign.com.au  
Provided by TAHPI

DESIGNED	APPROVED	DATE	SCALE(S)	SHEET
CC	DB	24.10.2010	1:50 in A3	2 of 2
CAD FILE NAME		PAPER DRAWING ID		ISSUE
CHST-20-IN		CHST-20-INb		1

This document is for advisory purpose only

<b>Department</b>	Indian Health Facility Guidelines	<b>Room Tag:</b>	1775
<b>Room Name</b>	Change - Staff (Male/Female), 20m2	<b>Room Code:</b>	CHST-20-IN
<b>Net Room Area Briefed</b>	20.0 M2		
<b>No of Rooms</b>	1		
<b>Subtotal of Briefed Area</b>	20.00 M2		
<b>Hours of Operation</b>	24 Hours		
<b>Occupancy</b>	Up to 4		
<b>Also covers these Rooms</b>			
<b>Description/ Special Requirements</b>	<p>Staff Change areas are provided for staff to change into appropriate work clothing or gowns, to store their street clothing and to perform personal ablutions. Change Rooms should be divided into Male and Female areas on a proportional basis and will include Showers, Toilets and handbasins. Secure storage for personal property will be required. Secured, staff only access to Change Rooms is required.</p> <p>Acoustics: Sound attenuation level - medium; acoustic privacy required.</p>		
<b>Amendment</b>	05.03.2014 - Issue 1		

**Room Fabric and outline specifications**

ID	Fabric	Material	Finish	Specification	Selection	Remarks
5060	Ceiling	Acoustic	Prefinished	Drop-in tiles, 600x1200		
6025	Cornice	Aluminium	Powdercoat	shadow line		
8000	Door protection	Vinyl	Prefinished	Kickplate, 300mm high		
9001	Doors	Solid Core	Paint	Single leaf		920mm clear; Secure staff only access from corridor
1175	Floor finish	Tiles	Non-slip	Ceramic		non slip vinyl floor also acceptable
2145	Skirting	Tiles	To match floor	Coved		or floor vinyl coved skirting
3000	Wall finish	Paint	Acrylic, washable			
3080	Wall finish	Tiles	Glazed	Full height		to wet areas; vinyl also acceptable

**Fittings and Furniture (FF)**

ID	Description	Category	Group	Qty	Selection / Remarks
530	Basin vanity top	Furniture/ Fitting	1	1	with integral splashback, laminate
1000	Bench seat	Furniture/ Fitting	1	1	under lockers
1000	Bench seat	Furniture/ Fitting	1	1	to shower cubicle, waterproof
1492	Cabinet: coat/shoes valet	Furniture/ Fitting	1	1	
3350	Clock: battery operated	Furniture/ Fitting	3	1	
3400	Coathook	Metalwork	1	2	1 to each cubicle
4800	Curtain track: shower	Metalwork	1	1	to shower cubicle
5300	Curtain: shower	Furniture/ Fitting	3	1	to shower cubicle
6154	Dispenser: paper/ hand towel	Furniture/ Fitting	2	1	to basin
6156	Dispenser: soap	Furniture/ Fitting	2	1	to basin



Department Indian Health Facility Guidelines  
 Room Name Change - Staff (Male/Female), 20m2

Room Tag: 1775  
 Room Code: CHST-20-IN

ID	Description	Category	Group	Qty	Selection / Remarks
6160	Dispenser: toilet paper	Furniture/ Fitting	1	1	
12300	Linen carrier: dirty, single	Furniture/ Fitting	3	1	
12509	Locker: 2 tier	Furniture/ Fitting	3	5	10 half lockers
13700	Mirror	Metalwork	1	1	above basin
13700	Mirror	Metalwork	1	1	full height, dressing
20055	Partitions: shower	Furniture/ Fitting	1	1	
23610	Partitions: toilet	Furniture/ Fitting	1	1	
20650	Soap/ shampoo holder	Furniture/ Fitting	1	1	to shower cubicle
12340	Trolley: clean linen	Furniture/ Fitting	3	1	
24100	Waste bin: paper, 20 Litre	Furniture/ Fitting	3	1	to basin
19100	Waste bin: sanitary	Furniture/ Fitting	3	1	to female change WC

**Fixtures, Equipment and associated Services (FE)**

ID	Description	Group	Qty	Ele	Data	CdW	HtW	WmW	Tap	Dns	Gas	Selection / Remarks
3120	Basin: vanity	1	1	___	___	yes	___	yes	yes	yes	___	
3003	Bidet handset	1	1	___	___	___	___	yes	yes	___	___	
47500	Shower: fixed rose	1	1	___	___	yes	___	yes	yes	yes	___	
54510	Telephone: handset, standard	3	1	___	yes	___	___	___	___	___	___	wall phone, optional
55600	Toilet suite: standard	1	1	___	___	yes	___	___	yes	yes	___	

**Services**

ID	Description	Service Category	Qty	Selection / Remarks
1000	Telephone: PABX	Communications	1	wall phone optional
5000	Airconditioning	HVAC		
5019	Exhaust	HVAC		to toilet/ shower area
4033	Floor waste	Hydraulics	3	
6000	General fluorescent	Lighting		
9060	GPO: Special: for equipment	Power	1	for hair dryer & shaver use only; to comply with relevant electric safety guidelines
10020	Card access	Security	1	or keypad; to entry door from corridor

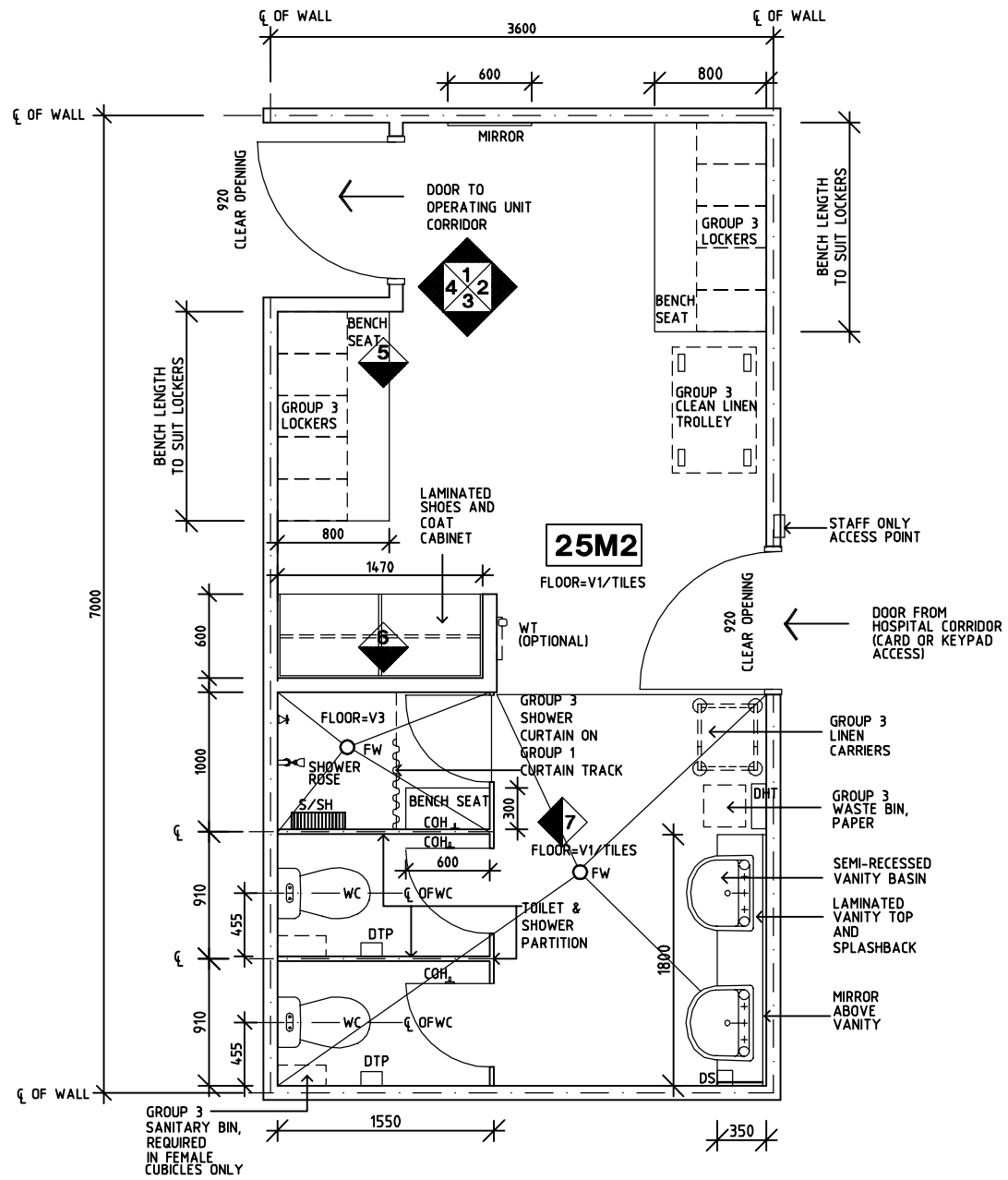
# Indian HFG Standard Components

Room Layout Sheet

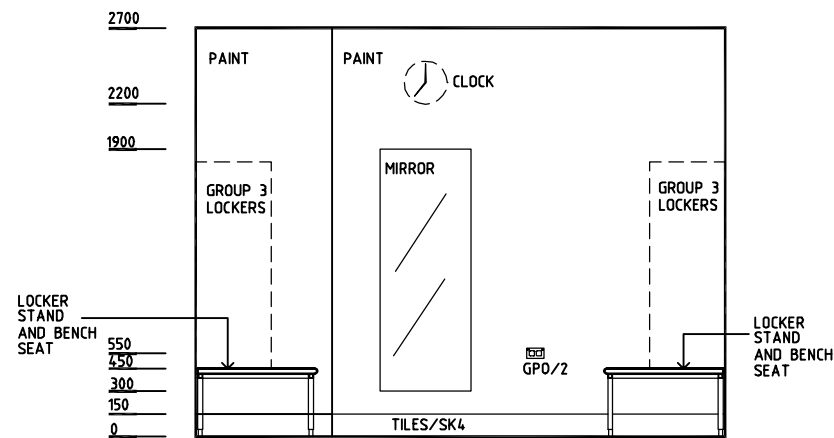
Room Name **Change - Staff (Male/Female), 25m2**

RLS Room Code **CHST-25-IN**  
RDS Room Code **CHST-25-IN**

- CP CHROME PLATED
- COH COAT HOOK
- DS DISPENSER - SOAP
- DHT DISPENSER - HAND TOWEL
- DTP DISPENSER - TOILET PAPER
- FW FLOOR WASTE
- GPO/2 GENERAL PURPOSE OUTLET-DOUBLE
- LS LIGHT SWITCH
- S/SH SOAP/SHAMPOO HOLDER
- SK4 FLOOR VINYL COVERED SKIRTING
- V1 VINYL FLOORING - STANDARD
- V3 VINYL FLOORING - STUDDED
- WT WALL TELEPHONE



**PLAN**



**ELEVATION 1**

REV	DESCRIPTION	DATE	BY	REV	DESCRIPTION	DATE	BY	REV	DESCRIPTION	DATE	BY
1	FIRST ISSUE	24.02.2014	AA								

	<b>Indian Health Facility Guidelines</b>	<small>Indian Health Facility Guidelines at: www.healthdesign.com.au/ihfg Editable version of Standard Components on Health Facility Briefing System (HFBS) at: www.healthdesign.com.au Provided by TAHPI</small>		DESIGNED	APPROVED	DATE	SCALE(S)	SHEET
		CC	DB	24.10.2010	1:50 in A3	1 of 3		
		CAD FILE NAME		PAPER DRAWING ID		ISSUE		
CHST-25-IN		CHST-25-INa		1				

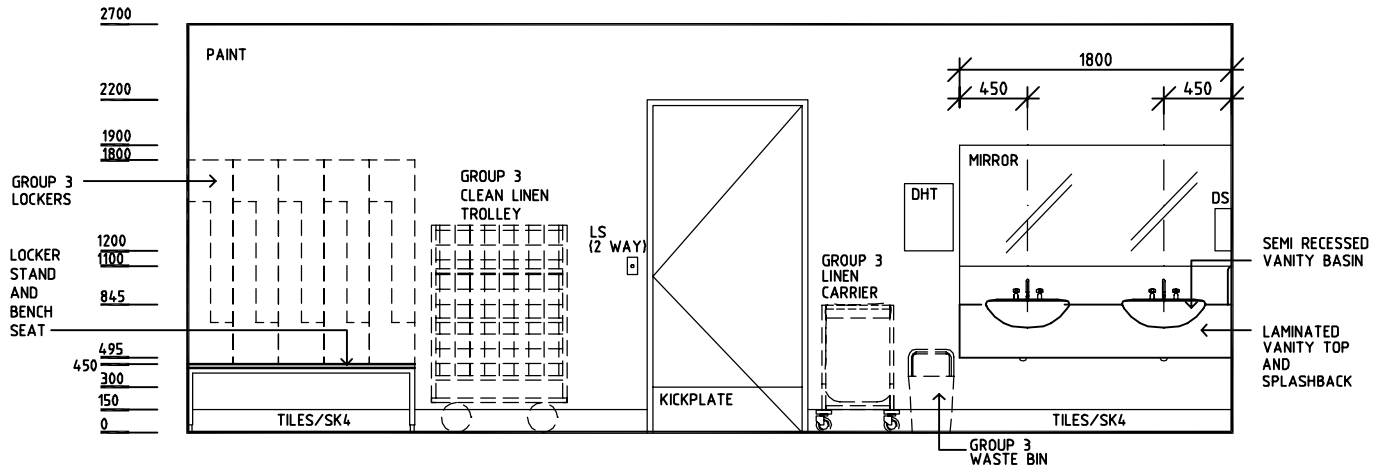
# Indian HFG Standard Components

Room Layout Sheet

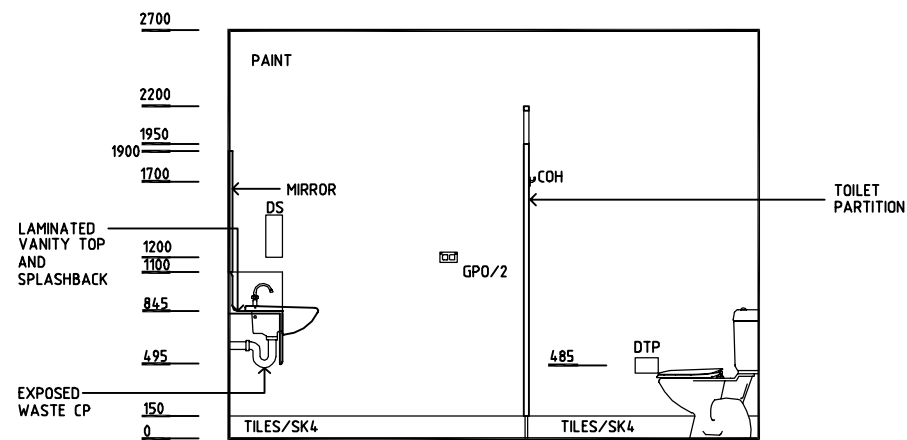
Room Name **Change - Staff (Male/Female), 25m2**

RLS Room Code **CHST-25-IN**  
RDS Room Code **CHST-25-IN**

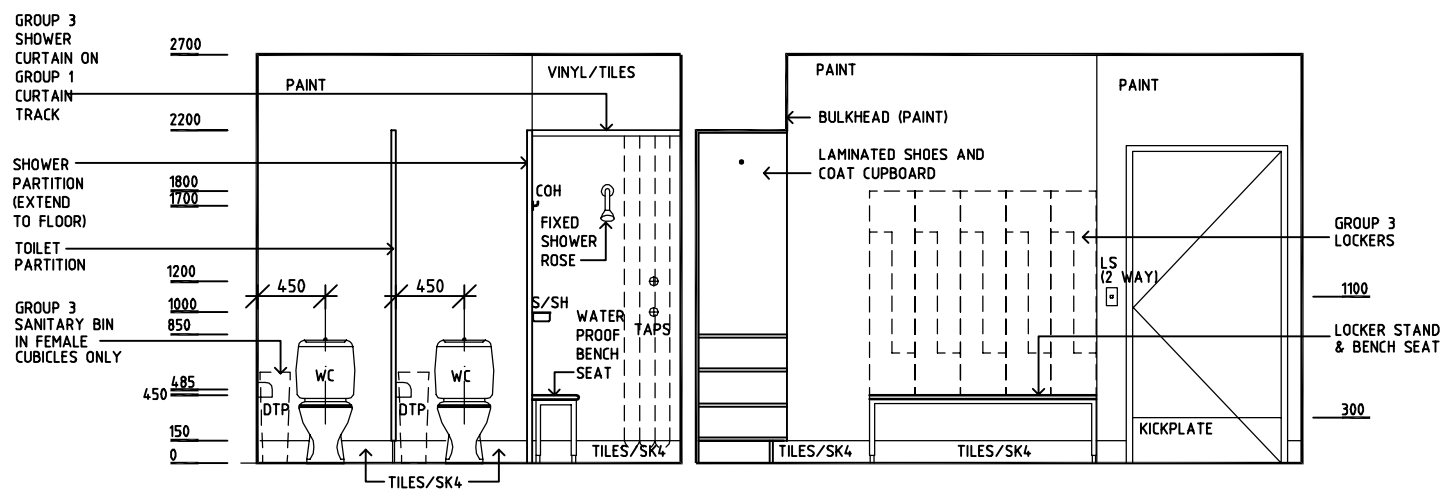
- CP CHROME PLATED
- COH COAT HOOK
- DS DISPENSER - SOAP
- DHT DISPENSER - HAND TOWEL
- DTP DISPENSER - TOILET PAPER
- FW FLOOR WASTE
- GPO/2 GENERAL PURPOSE OUTLET-DOUBLE
- LS LIGHT SWITCH
- S/SH SOAP/SHAMPOO HOLDER
- SK4 FLOOR VINYL COVERED SKIRTING
- V1 VINYL FLOORING - STANDARD
- V3 VINYL FLOORING - STUDDED
- WT WALL TELEPHONE



**ELEVATION 2**




**ELEVATION 3**



**ELEVATION 4**

REV	DESCRIPTION	DATE	BY	REV	DESCRIPTION	DATE	BY	REV	DESCRIPTION	DATE	BY
1	FIRST ISSUE	24.02.2014	AA								

 <b>Indian Health Facility Guidelines</b>	Indian Health Facility Guidelines at: <a href="http://www.healthdesign.com.au/ihfg">www.healthdesign.com.au/ihfg</a> Editable version of Standard Components on Health Facility Briefing System (HFBS) at: <a href="http://www.healthdesign.com.au">www.healthdesign.com.au</a> Provided by TAHPI		DESIGNED	APPROVED	DATE	SCALE(S)	SHEET
	CC	DB	24.10.2010	1:50 in A3	2 of 3		
	CAD FILE NAME		PAPER DRAWING ID		ISSUE		
CHST-25-IN		CHST-25-INb		1			

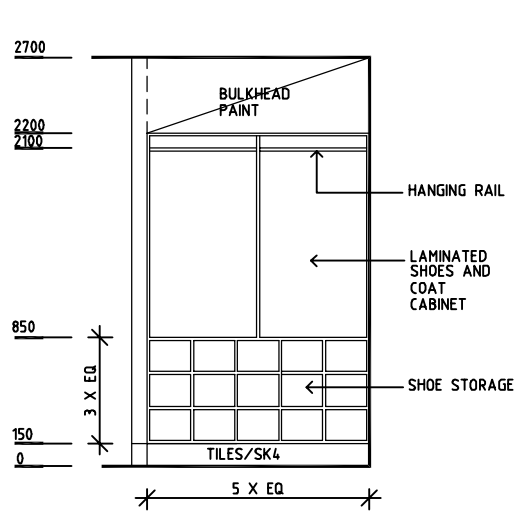
# Indian HFG Standard Components

Room Layout Sheet

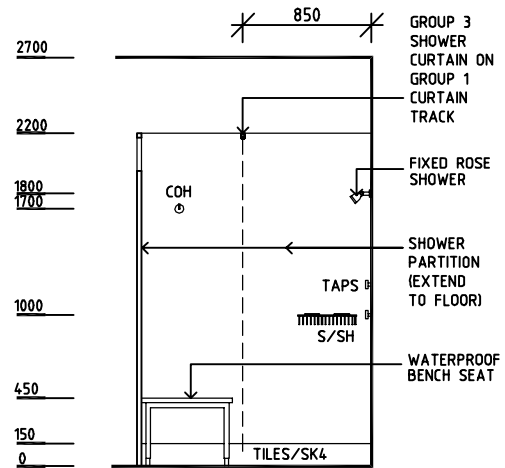
Room Name **Change - Staff (Male/Female), 25m2**

RLS Room Code **CHST-25-IN**  
RDS Room Code **CHST-25-IN**

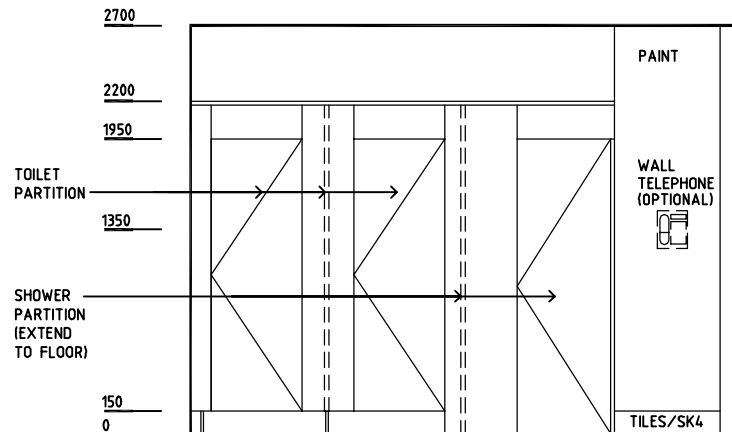
- |       |                               |
|-------|-------------------------------|
| CP    | CHROME PLATED                 |
| COH   | COAT HOOK                     |
| DS    | DISPENSER - SOAP              |
| DHT   | DISPENSER - HAND TOWEL        |
| DTP   | DISPENSER - TOILET PAPER      |
| FW    | FLOOR WASTE                   |
| GPO/2 | GENERAL PURPOSE OUTLET-DOUBLE |
| LS    | LIGHT SWITCH                  |
| S/SH  | SOAP/SHAMPOO HOLDER           |
| SK4   | FLOOR VINYL COVERED SKIRTING  |
| V1    | VINYL FLOORING - STANDARD     |
| V3    | VINYL FLOORING - STUDDED      |
| WT    | WALL TELEPHONE                |



**ELEVATION 5**




**ELEVATION 6**



**ELEVATION 7**

REV	DESCRIPTION	DATE	BY	REV	DESCRIPTION	DATE	BY	REV	DESCRIPTION	DATE	BY
1	FIRST ISSUE	24.02.2014	AA								

 <b>Indian Health Facility Guidelines</b>	<small>Indian Health Facility Guidelines at: www.healthdesign.com.au/ihfg Editable version of Standard Components on Health Facility Briefing System (HFBS) at: www.healthdesign.com.au Provided by TAHPI</small>		DESIGNED	APPROVED	DATE	SCALE(S)	SHEET
	CC	DB	24.10.2010	1:50 in A3	3 of 3		
	CAD FILE NAME CHST-25-IN		PAPER DRAWING ID CHST-25-INc		ISSUE 1		

This document is for advisory purpose only

<b>Department</b>	Indian Health Facility Guidelines	<b>Room Tag:</b>	1780
<b>Room Name</b>	Change - Staff (Male/Female), 25m2	<b>Room Code:</b>	CHST-25-IN
<b>Net Room Area Briefed</b>	25.0 M2		
<b>No of Rooms</b>	1		
<b>Subtotal of Briefed Area</b>	25.00 M2		
<b>Hours of Operation</b>	24 Hours		
<b>Occupancy</b>	Up to 10		
<b>Also covers these Rooms</b>			
<b>Description/ Special Requirements</b>	<p>Staff Change areas are provided for staff to change into appropriate work clothing or gowns, to store their street clothing and to perform personal ablutions. Change Rooms should be divided into Male and Female areas on a proportional basis and will include Showers, Toilets and handbasins. Secure storage for personal property will be required. Secured, staff only access to Change Rooms is required.</p> <p>Acoustics: Sound attenuation level - medium; acoustic privacy required.</p>		
<b>Amendment</b>	05.03.2014 - Issue 1		

**Room Fabric and outline specifications**

ID	Fabric	Material	Finish	Specification	Selection	Remarks
5060	Ceiling	Acoustic	Prefinished	Drop-in tiles, 600x1200		
6025	Cornice	Aluminium	Powdercoat	shadow line		
8000	Door protection	Vinyl	Prefinished	Kickplate, 300mm high		
9001	Doors	Solid Core	Paint	Single leaf		920mm clear; Secure staff only access from corridor
1175	Floor finish	Tiles	Non-slip	Ceramic		non slip vinyl floor also acceptable
2145	Skirting	Tiles	To match floor	Coved		or floor vinyl coved skirting
3000	Wall finish	Paint	Acrylic, washable			
3080	Wall finish	Tiles	Glazed	Full height		to wet areas; vinyl also acceptable

**Fittings and Furniture (FF)**

ID	Description	Category	Group	Qty	Selection / Remarks
530	Basin vanity top	Furniture/ Fitting	1	1	with integral splashback, laminate
1000	Bench seat	Furniture/ Fitting	1	2	under lockers
1000	Bench seat	Furniture/ Fitting	1	1	to shower cubicle, waterproof
1492	Cabinet: coat/shoes valet	Furniture/ Fitting	1	1	
3350	Clock: battery operated	Furniture/ Fitting	3	1	
3400	Coathook	Metalwork	1	3	1 to each cubicle
4800	Curtain track: shower	Metalwork	1	1	to shower cubicle
5300	Curtain: shower	Furniture/ Fitting	3	1	to shower cubicle
6154	Dispenser: paper/ hand towel	Furniture/ Fitting	2	1	to basins
6156	Dispenser: soap	Furniture/ Fitting	2	1	to basins



Department Indian Health Facility Guidelines  
 Room Name Change - Staff (Male/Female), 25m2

Room Tag: 1780  
 Room Code: CHST-25-IN

ID	Description	Category	Group	Qty	Selection / Remarks
6160	Dispenser: toilet paper	Furniture/ Fitting	1	2	
12300	Linen carrier: dirty, single	Furniture/ Fitting	3	1	
12509	Locker: 2 tier	Furniture/ Fitting	3	10	20 half lockers
13700	Mirror	Metalwork	1	1	above basin
13700	Mirror	Metalwork	1	1	full height, dressing
20055	Partitions: shower	Furniture/ Fitting	1	1	
23610	Partitions: toilet	Furniture/ Fitting	1	2	
20650	Soap/ shampoo holder	Furniture/ Fitting	1	1	to shower cubicle
12340	Trolley: clean linen	Furniture/ Fitting	3	1	
24100	Waste bin: paper, 20 Litre	Furniture/ Fitting	3	1	to basins
19100	Waste bin: sanitary	Furniture/ Fitting	3	2	to female change WC's

**Fixtures, Equipment and associated Services (FE)**

ID	Description	Group	Qty	Ele	Data	CdW	HtW	WmW	Tap	Dns	Gas	Selection / Remarks
3120	Basin: vanity	1	2	___	___	yes	___	yes	yes	yes	___	
3003	Bidet handset	1	2	___	___	___	___	yes	yes	___	___	
47500	Shower: fixed rose	1	1	___	___	yes	___	yes	yes	yes	___	
54510	Telephone: handset, standard	3	1	___	yes	___	___	___	___	___	___	wall phone, optional
55600	Toilet suite: standard	1	2	___	___	yes	___	___	yes	yes	___	

**Services**

ID	Description	Service Category	Qty	Selection / Remarks
1000	Telephone: PABX	Communications	1	wall phone optional
5000	Airconditioning	HVAC		
5019	Exhaust	HVAC		to toilet/ shower area
4033	Floor waste	Hydraulics	2	
6000	General fluorescent	Lighting		
9060	GPO: Special: for equipment	Power	1	for hair dryer & shaver use only; to comply with relevant electric safety guidelines
10020	Card access	Security	1	or keypad; to entry door from corridor

# Indian HFG Standard Components

Room Layout Sheet

Room Name **Change - Staff (Male/Female), 35m2**

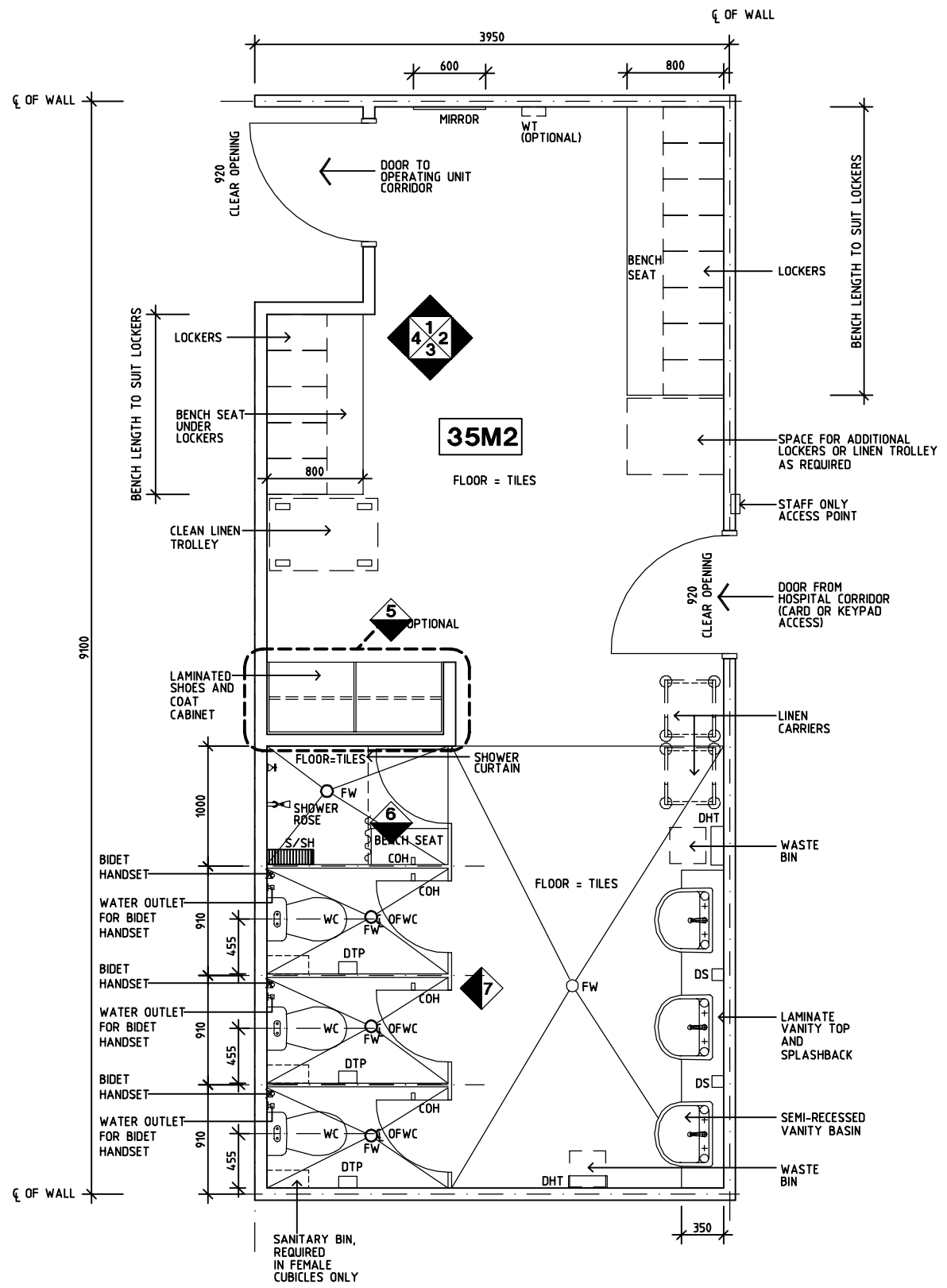
RLS Room Code

**CHST-35-IN**

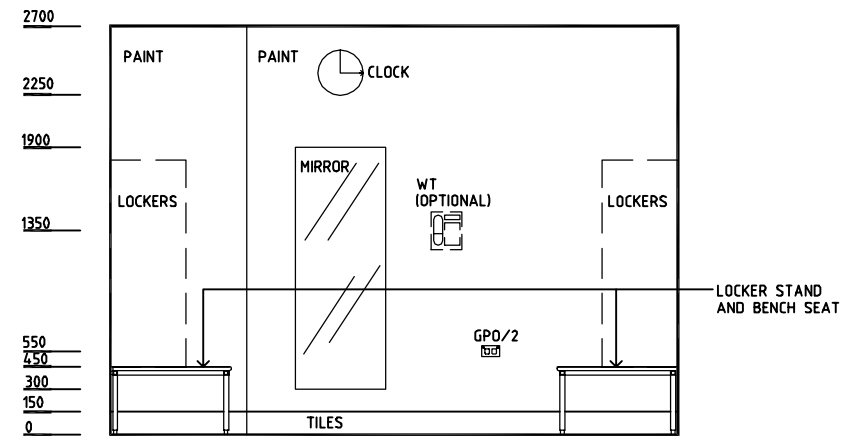
RDS Room Code

CHST-35-IN

- COH COAT HOOK
- COM/1 COMMUNICATION OUTLET - SINGLE
- DS DISPENSER - SOAP
- DHT DISPENSER - HAND TOWEL
- DTP DISPENSER - TOILET PAPER
- FW FLOOR WASTE
- GPO/2 GENERAL PURPOSE OUTLET - DOUBLE
- LS LIGHT SWITCH
- S/SH SOAP/SHAMPOO HOLDER
- WC WATER CLOSET
- WT WALL TELEPHONE



**PLAN**



**ELEVATION 1**

REV	DESCRIPTION	DATE	BY	REV	DESCRIPTION	DATE	BY	REV	DESCRIPTION	DATE	BY
1	FIRST ISSUE	24.02.2014	AA								

<p><b>Indian Health Facility Guidelines</b></p>	<small>Indian Health Facility Guidelines at: www.healthdesign.com.au/ihfg Editable version of Standard Components on Health Facility Briefing System (HFBS) at: www.healthdesign.com.au Provided by TAHPI</small>		DESIGNED	APPROVED	DATE	SCALE(S)	SHEET
	CC	DB	24.10.2010	1:50 in A3	1 of 2		
	CAD FILE NAME		PAPER DRAWING ID		ISSUE		
CHST-35-IN		CHST-35-INa		1			

# Indian HFG Standard Components

Room Layout Sheet

Room Name **Change - Staff (Male/Female), 35m2**

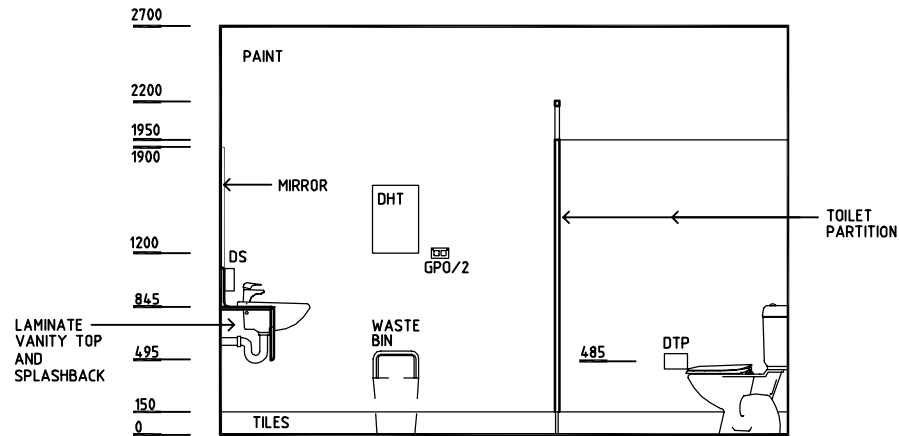
RLS Room Code

**CHST-35-IN**

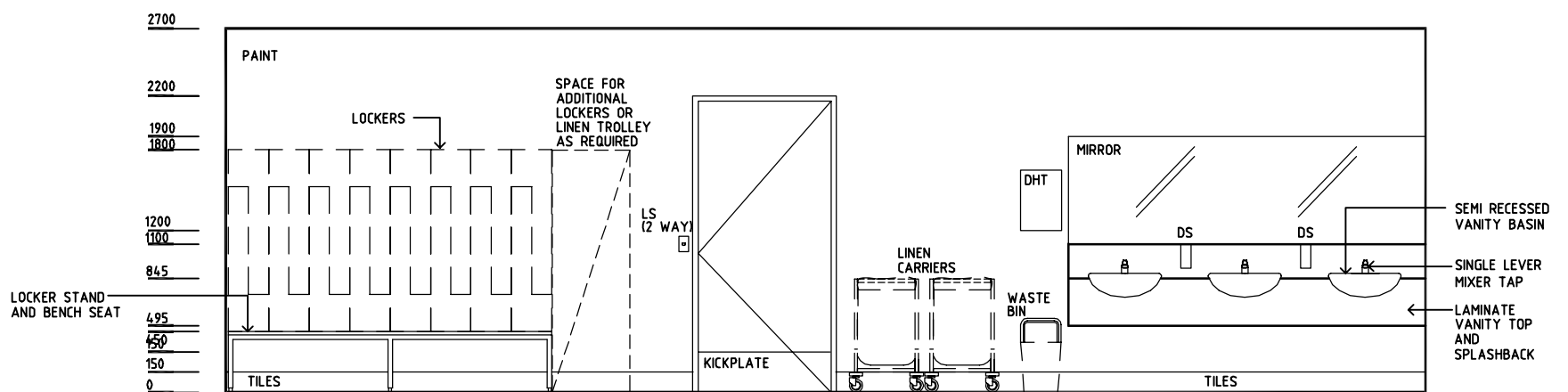
RDS Room Code

CHST-35-IN

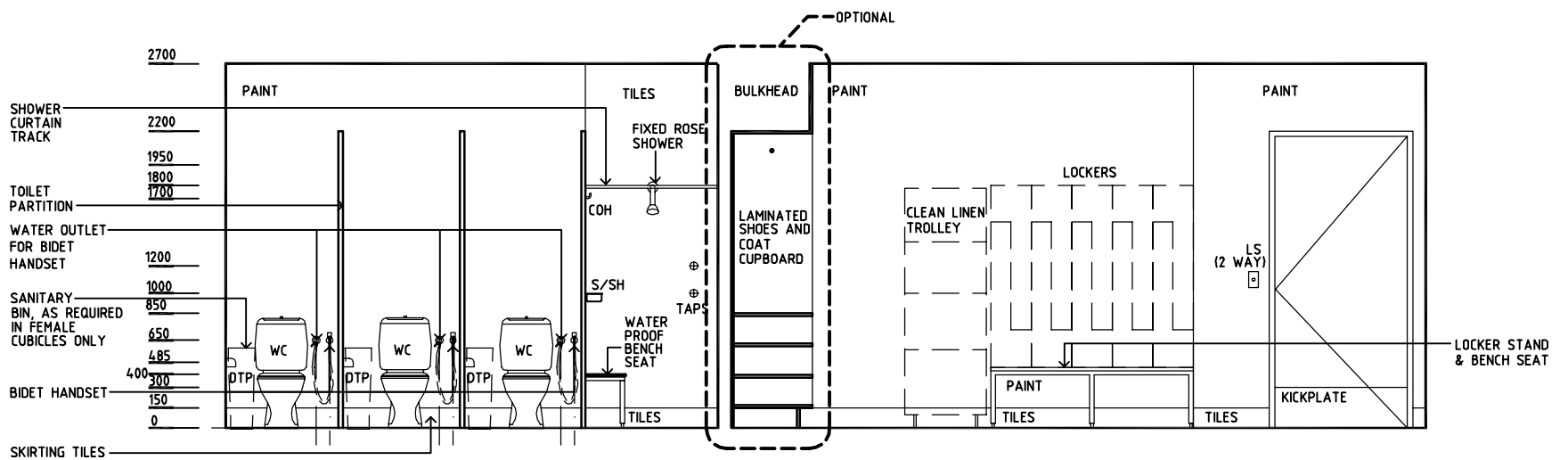
- COH COAT HOOK
- COM/1 COMMUNICATION OUTLET - SINGLE
- DS DISPENSER - SOAP
- DHT DISPENSER - HAND TOWEL
- DTP DISPENSER - TOILET PAPER
- FW FLOOR WASTE
- GPO/2 GENERAL PURPOSE OUTLET - DOUBLE
- LS LIGHT SWITCH
- S/SH SOAP/SHAMPOO HOLDER
- WC WATER CLOSET
- WT WALL TELEPHONE



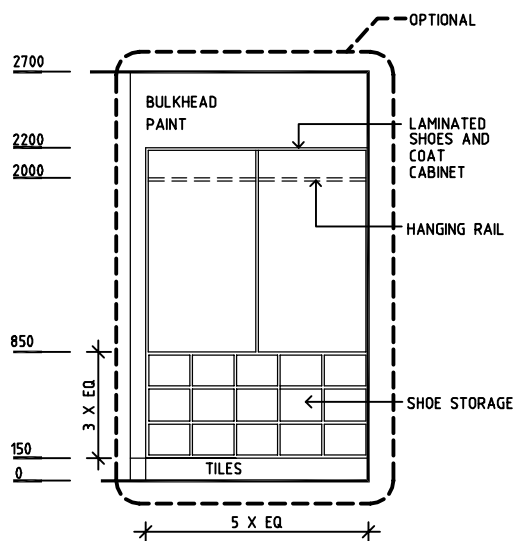
**ELEVATION 3**



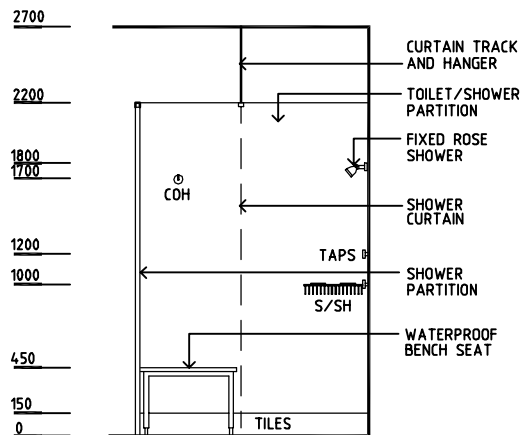
**ELEVATION 2**



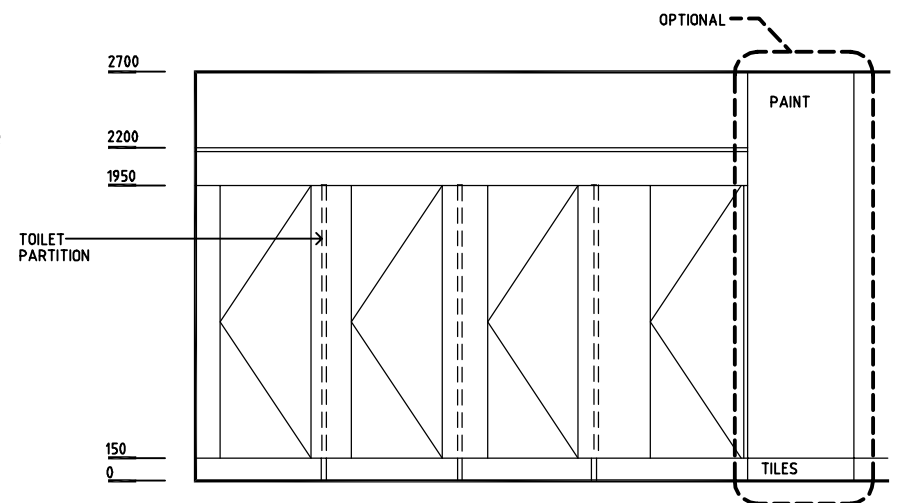
**ELEVATION 4**



**ELEVATION 5**



**ELEVATION 6**



**ELEVATION 7**

REV	DESCRIPTION	DATE	BY	REV	DESCRIPTION	DATE	BY	REV	DESCRIPTION	DATE	BY
1	FIRST ISSUE	24.02.2014	AA								



Indian Health Facility Guidelines at:  
[www.healthdesign.com.au/ihfg](http://www.healthdesign.com.au/ihfg)  
 Editable version of Standard Components on  
 Health Facility Briefing System (HFBS) at:  
[www.healthdesign.com.au](http://www.healthdesign.com.au)  
 Provided by TAHPI

DESIGNED	APPROVED	DATE	SCALE(S)	SHEET
CC	DB	24.10.2010	1:50 in A3	2 of 2
CAD FILE NAME		PAPER DRAWING ID		ISSUE
CHST-35-IN		CHST-35-INb		1

This document is for advisory purpose only

<b>Department</b>	Indian Health Facility Guidelines	<b>Room Tag:</b>	1810
<b>Room Name</b>	Change - Staff (Male/Female), 35m2	<b>Room Code:</b>	CHST-35-IN
<b>Net Room Area Briefed</b>	35.0 M2		
<b>No of Rooms</b>	1		
<b>Subtotal of Briefed Area</b>	35.00 M2		
<b>Hours of Operation</b>	24 Hours		
<b>Occupancy</b>	Up to 15		
<b>Also covers these Rooms</b>			
<b>Description/ Special Requirements</b>	<p>Staff Change areas are provided for staff to change into appropriate work clothing or gowns, to store their street clothing and to perform personal ablutions. Change Rooms should be divided into Male and Female areas on a proportional basis and will include Showers, Toilets and handbasins. Secure storage for personal property will be required. Secured, staff only access to Change Rooms is required.</p> <p>Acoustics: Sound attenuation level - medium; acoustic privacy required.</p>		
<b>Amendment</b>	05.03.2014 - Issue 1		

**Room Fabric and outline specifications**

ID	Fabric	Material	Finish	Specification	Selection	Remarks
5060	Ceiling	Acoustic	Prefinished	Drop-in tiles, 600x1200		
6025	Cornice	Aluminium	Powdercoat	shadow line		
8000	Door protection	Vinyl	Prefinished	Kickplate, 300mm high		
9001	Doors	Solid Core	Paint	Single leaf		920mm clear; Secure staff only access from corridor
1175	Floor finish	Tiles	Non-slip	Ceramic		non-slip vinyl & studded vinyl to wet areas also acceptable
2145	Skirting	Tiles	To match floor	Coved		vinyl also acceptable
3000	Wall finish	Paint	Acrylic, washable			
3080	Wall finish	Tiles	Glazed	Full height		to wet areas; full height vinyl also acceptable

**Fittings and Furniture (FF)**

ID	Description	Category	Group	Qty	Selection / Remarks
530	Basin vanity top	Furniture/ Fitting	1	1	with integral splashback, resinate
1000	Bench seat	Furniture/ Fitting	1	1	to shower cubicle
1000	Bench seat	Furniture/ Fitting	1	2	under lockers
1492	Cabinet: coat/shoes valet	Furniture/ Fitting	1	1	optional
3350	Clock: battery operated	Furniture/ Fitting	3	1	
3400	Coathook	Metalwork	1	4	1 to each WC cubicle; 1 to shower cubicle
4800	Curtain track: shower	Metalwork	1	1	
5300	Curtain: shower	Furniture/ Fitting	3	1	

Department Indian Health Facility Guidelines  
 Room Name Change - Staff (Male/Female), 35m2

Room Tag: 1810  
 Room Code: CHST-35-IN

ID	Description	Category	Group	Qty	Selection / Remarks
6154	Dispenser: paper/ hand towel	Furniture/ Fitting	2	2	to basins
6156	Dispenser: soap	Furniture/ Fitting	2	2	to basins
6160	Dispenser: toilet paper	Furniture/ Fitting	1	3	
12300	Linen carrier: dirty, single	Furniture/ Fitting	3	2	
12509	Locker: 2 tier	Furniture/ Fitting	3	13	
13700	Mirror	Metalwork	1	1	above basin
13700	Mirror	Metalwork	1	1	full height, dressing
20055	Partitions: shower	Furniture/ Fitting	1	1	
23610	Partitions: toilet	Furniture/ Fitting	1	3	
20650	Soap/ shampoo holder	Furniture/ Fitting	1	1	
12340	Trolley: clean linen	Furniture/ Fitting	3	1	
24100	Waste bin: paper, 20 Litre	Furniture/ Fitting	3	2	to basins
19100	Waste bin: sanitary	Furniture/ Fitting	3	3	to female change WC's

**Fixtures, Equipment and associated Services (FE)**

ID	Description	Group	Qty	Ele	Data	CdW	HtW	WmW	Tap	Dns	Gas	Selection / Remarks
3120	Basin: vanity	1	3	___	___	yes	___	yes	yes	yes	___	
3003	Bidet handset	1	3	___	___	___	___	yes	yes	___	___	
47500	Shower: fixed rose	1	1	___	___	yes	___	yes	yes	yes	___	
54510	Telephone: handset, standard	3	1	___	yes	___	___	___	___	___	___	wall telephone. optional
55600	Toilet suite: standard	1	3	___	___	yes	___	___	yes	yes	___	

**Services**

ID	Description	Service Category	Qty	Selection / Remarks
1000	Telephone: PABX	Communications	1	wall phone optional
5000	Airconditioning	HVAC		
5019	Exhaust	HVAC		to toilet/shower area
4033	Floor waste	Hydraulics	5	
6000	General fluorescent	Lighting		
9060	GPO: Special: for equipment	Power	1	for hair dryer & shaver use only; to comply with relevant electric safety guidelines
10020	Card access	Security	1	or keypad access outside room

# Indian HFG Standard Components

Room Layout Sheet

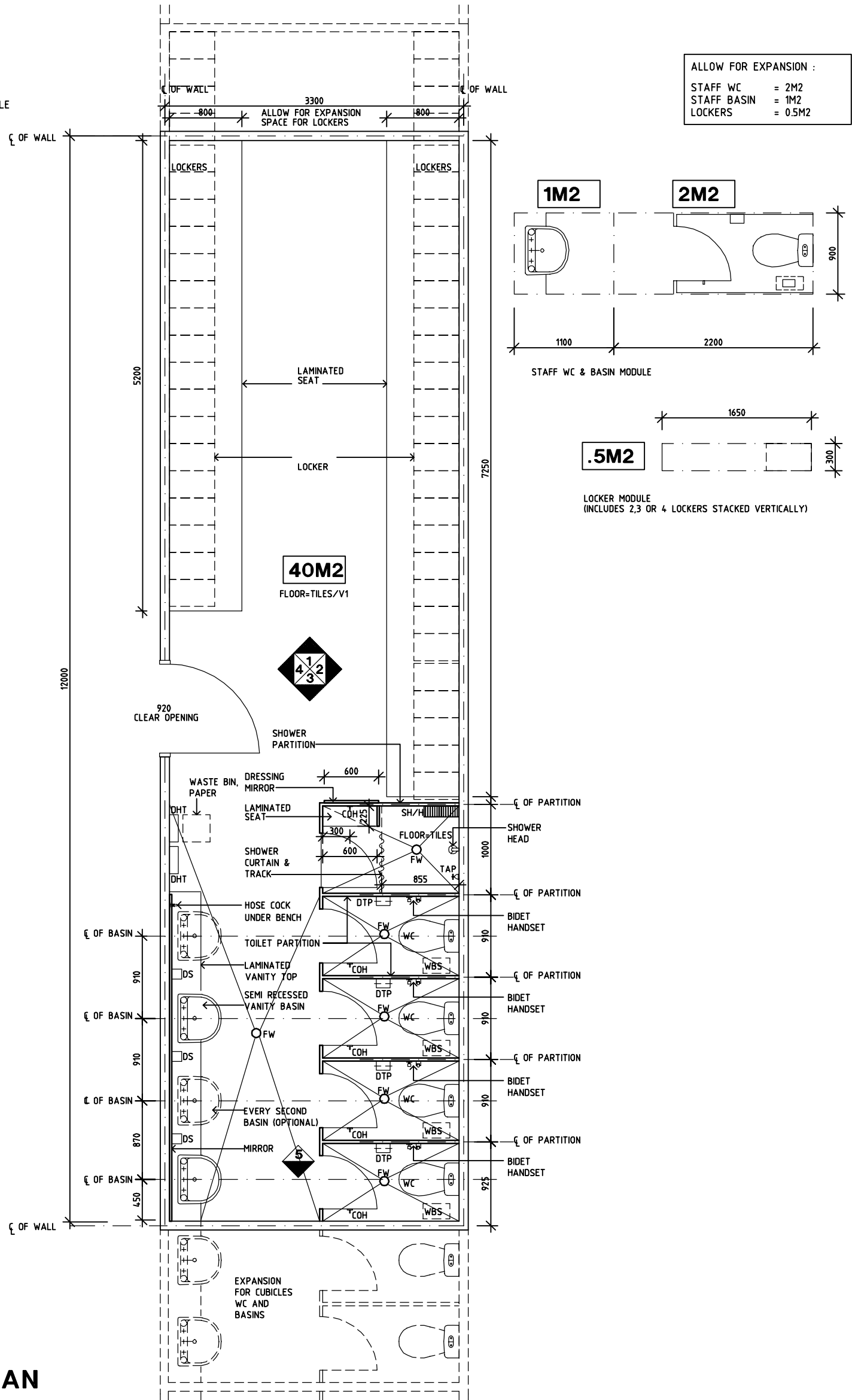
Room Name **Change Staff, Female, General, 40m2**

RLS Room Code **CHST-F-G-IN**

RDS Room Code **CHST-F-G-IN**

- COH COAT HOOK
- CP CHROMED PLATED
- DTP DISPENSER - TOILET PAPER
- DHT DISPENSER - HAND TOWEL
- DS DISPENSER - SOAP
- FW FLOOR WASTE
- GPO/2 GENERAL PURPOSE OUTLET- DOUBLE
- LS LIGHT SWITCH
- SK4 FLOOR VINYL COVERED SKIRTING
- SS STAINLESS STEEL
- V1 FLOOR VINYL, STANDARD
- V3 FLOOR VINYL, STUDDED
- WBS WASTE BIN, SANITARY

ALLOW FOR EXPANSION :  
 STAFF WC = 2M2  
 STAFF BASIN = 1M2  
 LOCKERS = 0.5M2



**PLAN**

REV	DESCRIPTION	DATE	BY	REV	DESCRIPTION	DATE	BY	REV	DESCRIPTION	DATE	BY
1	FIRST ISSUE	24.02.2014	AA								

 <p><b>Indian Health Facility Guidelines</b></p>	Indian Health Facility Guidelines at: <a href="http://www.healthdesign.com.au/ihfg">www.healthdesign.com.au/ihfg</a> Editable version of Standard Components on Health Facility Briefing System (HFBS) at: <a href="http://www.healthdesign.com.au">www.healthdesign.com.au</a> Provided by TAHPI		DESIGNED	APPROVED	DATE	SCALE(S)	SHEET
	CC	WBS	24.10.10	1:50 in A3	1 of 2		
	CAD FILE NAME		PAPER DRAWING ID		ISSUE		
CHST-F-G-IN		CHST-F-G-INa		1			

This document is for advisory purpose only

# Indian HFG Standard Components

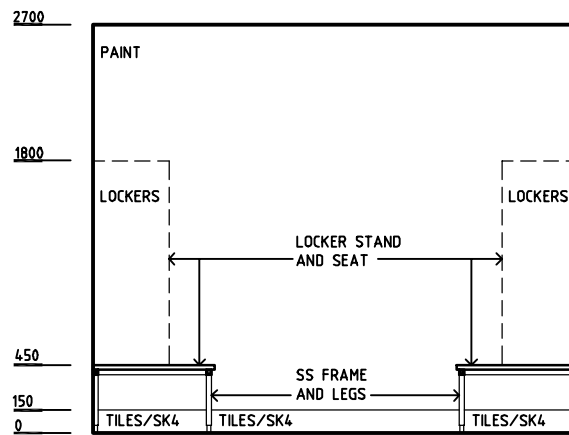
Room Layout Sheet

Room Name **Change Staff, Female, General, 40m2**

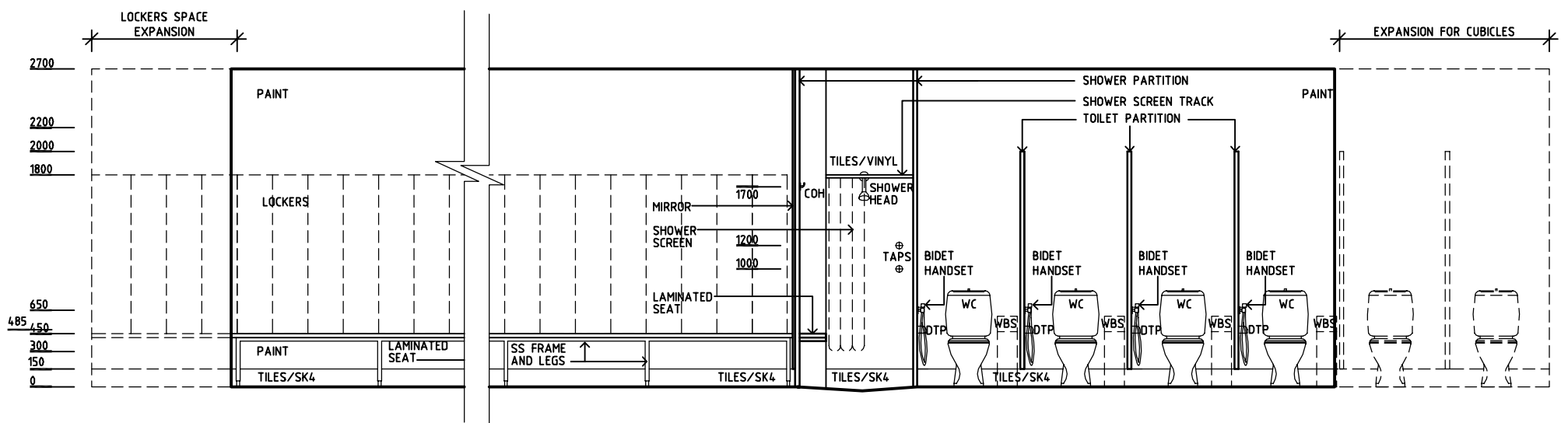
RLS Room Code **CHST-F-G-IN**

RDS Room Code **CHST-F-G-IN**

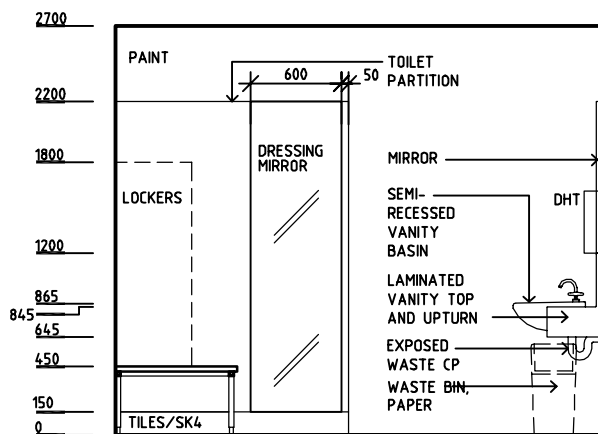
- COH COAT HOOK
- CP CHROMED PLATED
- DTP DISPENSER - TOILET PAPER
- DHT DISPENSER - HAND TOWEL
- DS DISPENSER - SOAP
- FW FLOOR WASTE
- GPO/2 GENERAL PURPOSE OUTLET- DOUBLE
- LS LIGHT SWITCH
- SK4 FLOOR VINYL COVERED SKIRTING
- SS STAINLESS STEEL
- V1 FLOOR VINYL, STANDARD
- V3 FLOOR VINYL, STUDDED
- WBS WASTE BIN, SANITARY



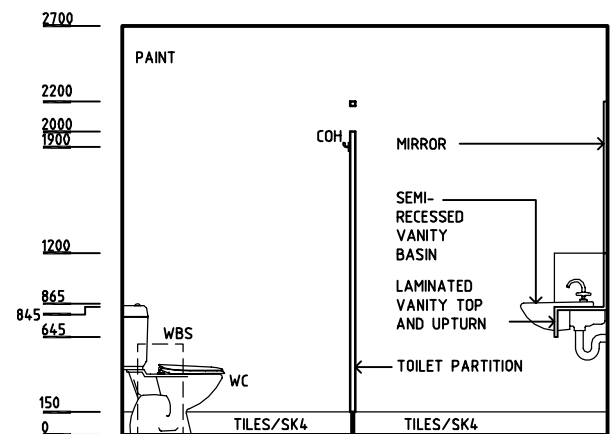
**ELEVATION 1**



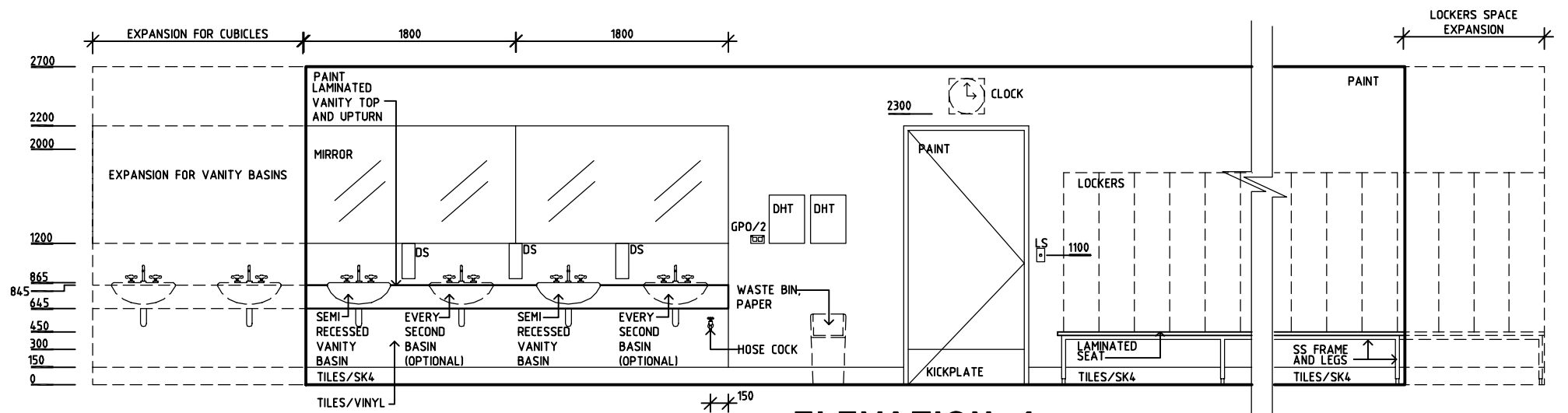
**ELEVATION 2**



**ELEVATION 3**



**ELEVATION 5**



**ELEVATION 4**

REV	DESCRIPTION	DATE	BY	REV	DESCRIPTION	DATE	BY	REV	DESCRIPTION	DATE	BY
1	FIRST ISSUE	24.02.2014	AA								

	<b>Indian Health Facility Guidelines</b> <small>Indian Health Facility Guidelines at:  <a href="http://www.healthdesign.com.au/ihfg">www.healthdesign.com.au/ihfg</a>                      Editable version of Standard Components on                      Health Facility Briefing System (HFBS) at:  <a href="http://www.healthdesign.com.au">www.healthdesign.com.au</a>                      Provided by TAHPI</small>	DESIGNED	APPROVED	DATE	SCALE(S)	SHEET
		CC	WBS	24.10.10	1:50 in A3	2 of 2
		CAD FILE NAME		PAPER DRAWING ID		ISSUE
CHST-F-G-IN		CHST-F-G-INb		1		

This document is for advisory purpose only

<b>Department</b>	Indian Health Facility Guidelines	<b>Room Tag:</b>	1820
<b>Room Name</b>	Change - Staff, Female, 40m2	<b>Room Code:</b>	CHST-F-G-IN
<b>Net Room Area Briefed</b>	40.0 M2		
<b>No of Rooms</b>	1		
<b>Subtotal of Briefed Area</b>	40.00 M2		
<b>Hours of Operation</b>	24 Hours		
<b>Occupancy</b>	Up to 15		
<b>Also covers these Rooms</b>			
<b>Description/ Special Requirements</b>	<p>Staff Change areas are provided for staff to change into appropriate work clothing, to store their street clothing and to perform personal ablutions. Secure storage for personal property will be required. Change Rooms should be divided into Male and Female areas on a proportional basis. Showers and Toilets will be included within the general Staff Change area. Secured, staff only access to Change Rooms is required.</p> <p>The area may increase according to the number of staff showers/ toilets and lockers to be accommodated; Allow an additional 2 m2 for each additional toilet, 1 m2 for each additional basin, and 0.5 m2 for each additional locker.</p> <p>Acoustics: Sound attenuation level - medium; acoustic privacy required.</p>		
<b>Amendment</b>	05.03.2014 - Issue 1		

**Room Fabric and outline specifications**

ID	Fabric	Material	Finish	Specification	Selection	Remarks
5060	Ceiling	Acoustic	Prefinished	Drop-in tiles, 600x1200		
6025	Cornice	Aluminium	Powdercoat	shadow line		
8000	Door protection	Vinyl	Prefinished	Kickplate, 300mm high		
9001	Doors	Solid Core	Paint	Single leaf		910mm clear; Secure staff only access
1175	Floor finish	Tiles	Non-slip	Ceramic		non slip vinyl floor also acceptable
2145	Skirting	Tiles	To match floor	Coved		or floor vinyl coved skirting
3000	Wall finish	Paint	Acrylic, washable			
3080	Wall finish	Tiles	Glazed	Full height		to wet areas; vinyl also acceptable
3085	Wall finish	Tiles	Glazed	Splashback		vinyl also acceptable

**Fittings and Furniture (FF)**

ID	Description	Category	Group	Qty	Selection / Remarks
530	Basin vanity top	Furniture/ Fitting	1	1	with integral upturn
1000	Bench seat	Furniture/ Fitting	1	2	under lockers
1000	Bench seat	Furniture/ Fitting	1	1	to shower cubicle
3350	Clock: battery operated	Furniture/ Fitting	3	1	
3400	Coathook	Metalwork	1	5	1 to each cubicle

Department Indian Health Facility Guidelines  
 Room Name Change - Staff, Female, 40m2

Room Tag: 1820  
 Room Code: CHST-F-G-IN

ID	Description	Category	Group	Qty	Selection / Remarks
4800	Curtain track: shower	Metalwork	1	1	ro shower cubicle
5300	Curtain: shower	Furniture/ Fitting	3	1	
6154	Dispenser: paper/ hand towel	Furniture/ Fitting	2	2	
6156	Dispenser: soap	Furniture/ Fitting	2	3	1 between 2 basins
6160	Dispenser: toilet paper	Furniture/ Fitting	1	4	
12509	Locker: 2 tier	Furniture/ Fitting	3	41	82 compartments; may also use 3 tier or 4 tier lockers
13700	Mirror	Metalwork	1	2	above basin
13700	Mirror	Metalwork	1	1	dressing
20055	Partitions: shower	Furniture/ Fitting	1	1	
23610	Partitions: toilet	Furniture/ Fitting	1	4	
20650	Soap/ shampoo holder	Furniture/ Fitting	1	1	to shower cubicle
24100	Waste bin: paper, 20 Litre	Furniture/ Fitting	3	1	
19100	Waste bin: sanitary	Furniture/ Fitting	3	4	

**Fixtures, Equipment and associated Services (FE)**

ID	Description	Group	Qty	Ele	Data	CdW	HtW	WmW	Tap	Dns	Gas	Selection / Remarks
3120	Basin: vanity	1	4	___	___	yes	___	yes	yes	yes	___	every 2nd basin is optional
3003	Bidet handset	1	4	___	___	___	___	yes	yes	___	___	
47500	Shower: fixed rose	1	1	___	___	yes	___	yes	yes	yes	___	
55600	Toilet suite: standard	1	4	___	___	yes	___	___	yes	yes	___	

**Services**

ID	Description	Service Category	Qty	Selection / Remarks
5000	Airconditioning	HVAC		
5019	Exhaust	HVAC		to toilet/ shower area
4033	Floor waste	Hydraulics	6	
6000	General fluorescent	Lighting		
9060	GPO: Special: for equipment	Power	1	for hair dryer & shaver use only; to comply with relevant electric safety guidelines

# Indian HFG Standard Components

Room Layout Sheet

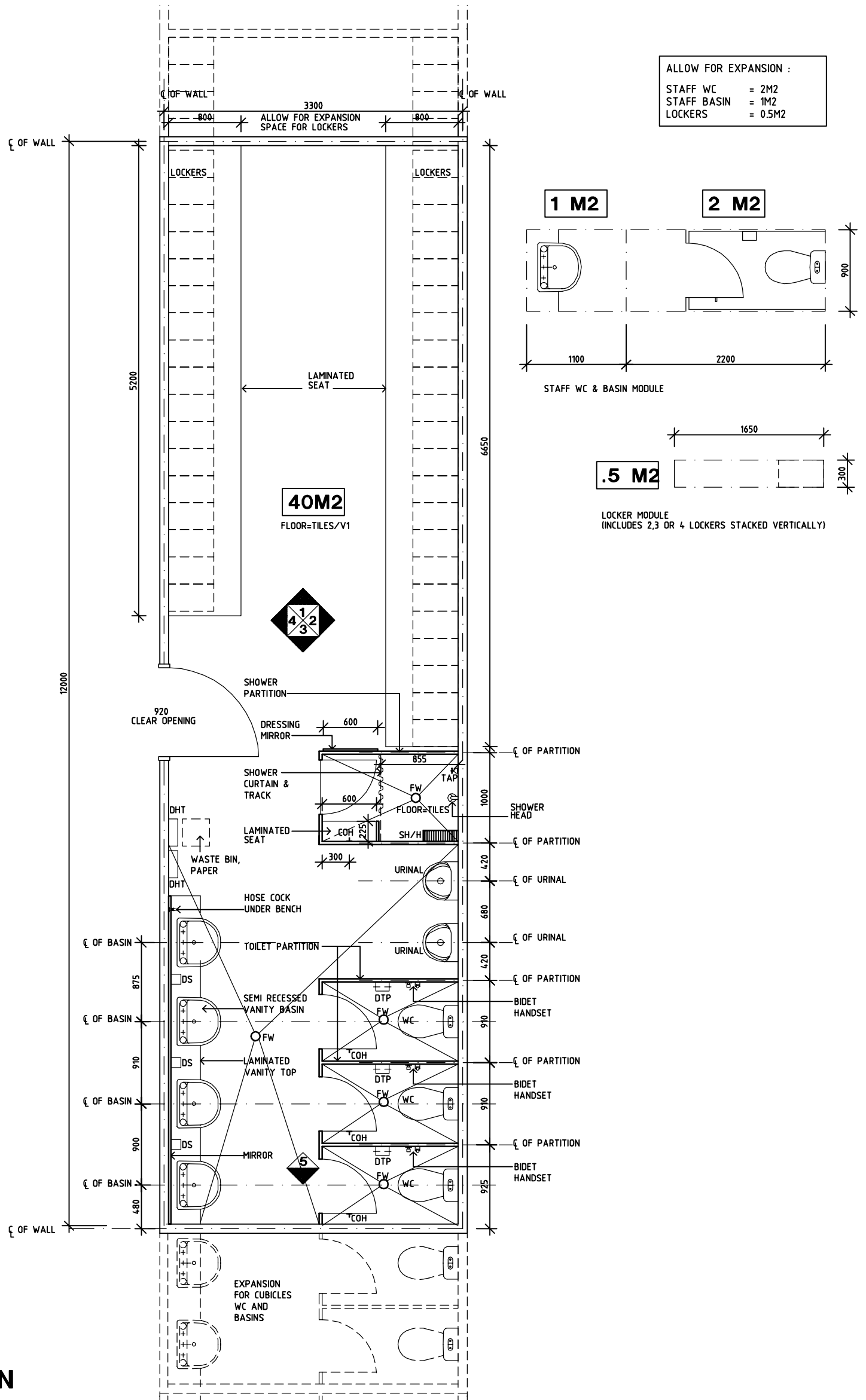
Room Name **Change Staff, Male, General, 40m2**

RLS Room Code **CHST-M-G-IN**

RDS Room Code **CHST-M-G-IN**

- COH COAT HOOK
- CP CHROMED PLATED
- DTP DISPENSER - TOILET PAPER
- DHT DISPENSER - HAND TOWEL
- DS DISPENSER - SOAP
- FW FLOOR WASTE
- GPO/2 GENERAL PURPOSE OUTLET- DOUBLE
- LS LIGHT SWITCH
- SK4 FLOOR VINYL COVERED SKIRTING
- SS STAINLESS STEEL
- V1 FLOOR VINYL, STANDARD
- V3 FLOOR VINYL, STUDDED
- WBS WASTE BIN, SANITARY

ALLOW FOR EXPANSION :  
 STAFF WC = 2M2  
 STAFF BASIN = 1M2  
 LOCKERS = 0.5M2



**PLAN**

REV	DESCRIPTION	DATE	BY	REV	DESCRIPTION	DATE	BY	REV	DESCRIPTION	DATE	BY
1	FIRST ISSUE	24.02.2014	AA								

	<b>Indian Health Facility Guidelines</b>		Indian Health Facility Guidelines at: <a href="http://www.healthdesign.com.au/infhg">www.healthdesign.com.au/infhg</a> Editable version of Standard Components on Health Facility Briefing System (HFBS) at: <a href="http://www.healthdesign.com.au">www.healthdesign.com.au</a> Provided by TAHPI		DESIGNED CC	APPROVED DB	DATE 24.10.10	SCALE(S) 1:50 in A3	SHEET 1 of 2	
	CAD FILE NAME CHST-M-G-IN			PAPER DRAWING ID CHST-M-G-INa		ISSUE 1				

This document is for advisory purpose only

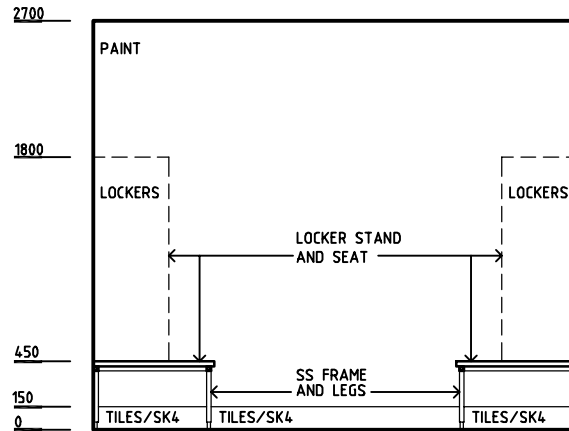
# Indian HFG Standard Components

Room Layout Sheet

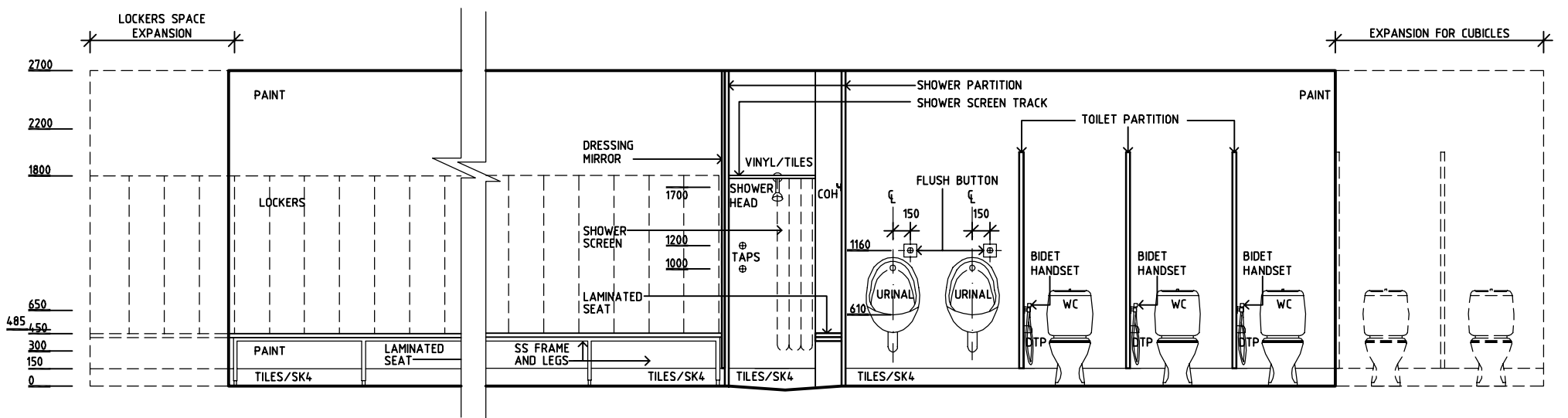
Room Name **Change Staff, Male, General, 40m2**

RLS Room Code **CHST-M-G-IN**  
RDS Room Code **CHST-M-G-IN**

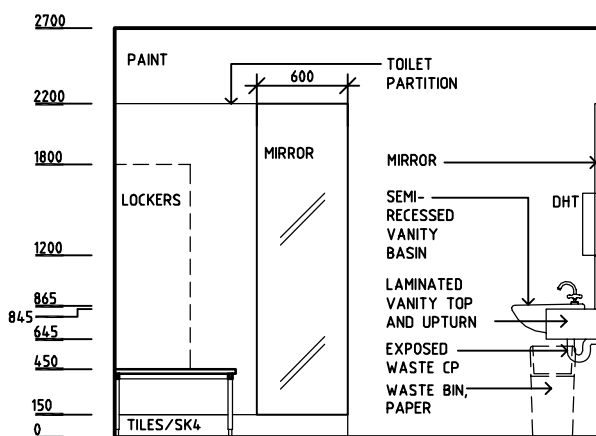
- COH COAT HOOK
- CP CHROMED PLATED
- DTP DISPENSER - TOILET PAPER
- DHT DISPENSER - HAND TOWEL
- DS DISPENSER - SOAP
- FW FLOOR WASTE
- GPO/2 GENERAL PURPOSE OUTLET- DOUBLE
- LS LIGHT SWITCH
- SK4 FLOOR VINYL COVERED SKIRTING
- SS STAINLESS STEEL
- V1 FLOOR VINYL, STANDARD
- V3 FLOOR VINYL, STUDDED
- WBS WASTE BIN, SANITARY



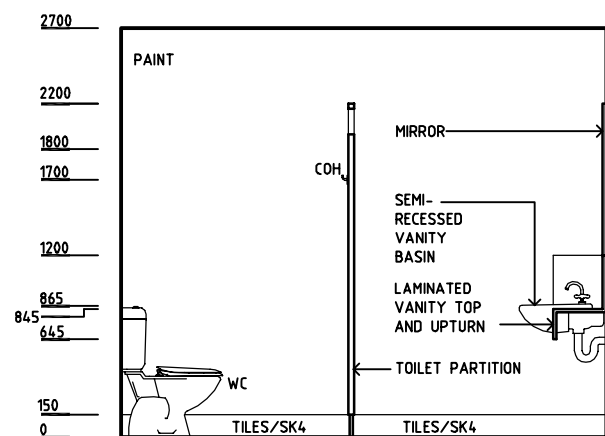
**ELEVATION 1**



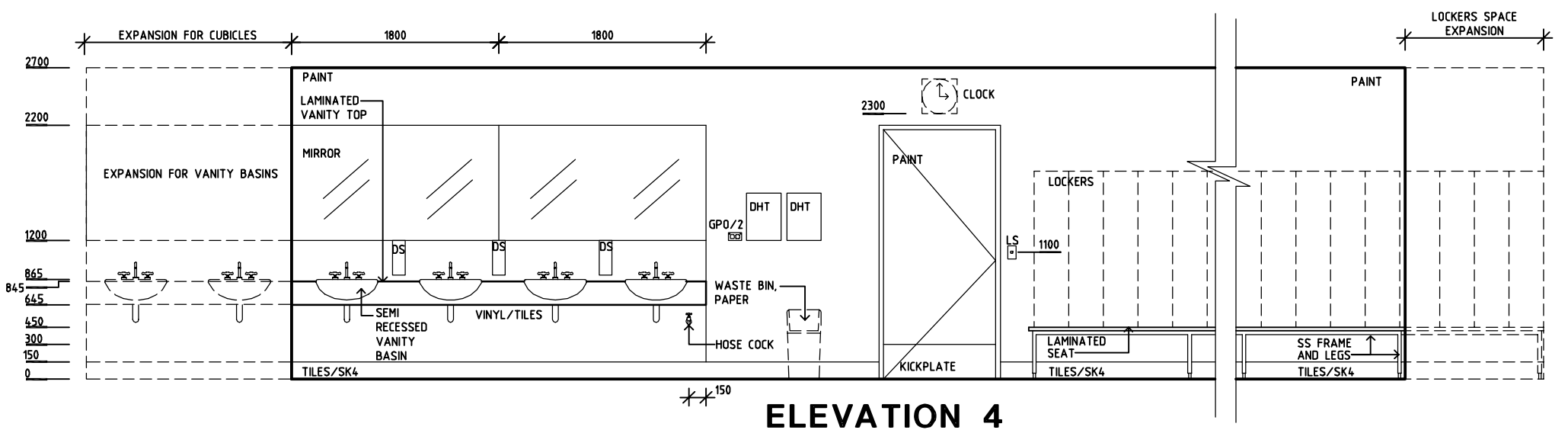
**ELEVATION 2**



**ELEVATION 3**



**ELEVATION 5**



**ELEVATION 4**

REV	DESCRIPTION	DATE	BY	REV	DESCRIPTION	DATE	BY	REV	DESCRIPTION	DATE	BY
1	FIRST ISSUE	24.02.2014	AA								

	<b>Indian Health Facility Guidelines</b>	<small>Indian Health Facility Guidelines at: www.healthdesign.com.au/ihfg Editable version of Standard Components on Health Facility Briefing System (HFBS) at: www.healthdesign.com.au Provided by TAHPI</small>		DESIGNED	APPROVED	DATE	SCALE(S)	SHEET
		CC	DB	24.10.10	1:50 in A3	2 of 2		
		CAD FILE NAME		PAPER DRAWING ID		ISSUE		
		CHST-M-G-IN		CHST-M-G-INb		1		

<b>Department</b>	Indian Health Facility Guidelines	<b>Room Tag:</b>	1830
<b>Room Name</b>	Change - Staff, Male, 40m2	<b>Room Code:</b>	CHST-M-G-IN
<b>Net Room Area Briefed</b>	40.0 M2		
<b>No of Rooms</b>	1		
<b>Subtotal of Briefed Area</b>	40.00 M2		
<b>Hours of Operation</b>	24 Hours		
<b>Occupancy</b>	Up to 15		
<b>Also covers these Rooms</b>			
<b>Description/ Special Requirements</b>	<p>Staff Change areas are provided for staff to change into appropriate work clothing, to store their street clothing and to perform personal ablutions. Secure storage for personal property will be required. Change Rooms should be divided into Male and Female areas on a proportional basis. Showers and Toilets will be included within the general Staff Change area. Secured, staff only access to Change Rooms is required.</p> <p>The area may increase according to the number of staff showers/ toilets and lockers to be accommodated; Allow an additional 2 m2 for each additional toilet, 1 m2 for each additional basin and 0.5 m2 for each additional locker.</p> <p>Acoustics: Sound attenuation level - medium; acoustic privacy required.</p>		
<b>Amendment</b>	05.03.2014 - Issue 1		

**Room Fabric and outline specifications**

ID	Fabric	Material	Finish	Specification	Selection	Remarks
5060	Ceiling	Acoustic	Prefinished	Drop-in tiles, 600x1200		
6025	Cornice	Aluminium	Powdercoat	shadow line		
8000	Door protection	Vinyl	Prefinished	Kickplate, 300mm high		
9001	Doors	Solid Core	Paint	Single leaf		920mm clear; Secure staff only access
1175	Floor finish	Tiles	Non-slip	Ceramic		non slip vinyl floor also acceptable
2145	Skirting	Tiles	To match floor	Coved		or floor vinyl coved skirting
3000	Wall finish	Paint	Acrylic, washable			
3080	Wall finish	Tiles	Glazed	Full height		to wet areas; vinyl also acceptable
3085	Wall finish	Tiles	Glazed	Splashback		vinyl also acceptable

**Fittings and Furniture (FF)**

ID	Description	Category	Group	Qty	Selection / Remarks
530	Basin vanity top	Furniture/ Fitting	1	1	with integral upturn
1000	Bench seat	Furniture/ Fitting	1	2	under lockers
1000	Bench seat	Furniture/ Fitting	1	1	to shower cubicle
3350	Clock: battery operated	Furniture/ Fitting	3	1	
3400	Coathook	Metalwork	1	4	1 to each cubicle

Department Indian Health Facility Guidelines  
 Room Name Change - Staff, Male, 40m2

Room Tag: 1830  
 Room Code: CHST-M-G-IN

ID	Description	Category	Group	Qty	Selection / Remarks
4800	Curtain track: shower	Metalwork	1	1	
5300	Curtain: shower	Furniture/ Fitting	3	1	
6154	Dispenser: paper/ hand towel	Furniture/ Fitting	2	2	
6156	Dispenser: soap	Furniture/ Fitting	2	3	1 between 2 basins
6160	Dispenser: toilet paper	Furniture/ Fitting	1	3	
12509	Locker: 2 tier	Furniture/ Fitting	3	39	78 compartments; may also use 3 tier or 4 tier lockers
13700	Mirror	Metalwork	1	2	above basin
13700	Mirror	Metalwork	3	1	dressing
20055	Partitions: shower	Furniture/ Fitting	1	1	
23610	Partitions: toilet	Furniture/ Fitting	1	3	
20650	Soap/ shampoo holder	Furniture/ Fitting	1	1	to shower cubicle
24100	Waste bin: paper, 20 Litre	Furniture/ Fitting	3	1	

**Fixtures, Equipment and associated Services (FE)**

ID	Description	Group	Qty	Ele	Data	CdW	HtW	WmW	Tap	Dns	Gas	Selection / Remarks
3120	Basin: vanity	1	4	___	___	yes	___	yes	yes	yes	___	
3003	Bidet handset	1	3	___	___	___	___	yes	yes	___	___	
47500	Shower: fixed rose	1	1	___	___	yes	___	yes	yes	yes	___	
55600	Toilet suite: standard	1	3	___	___	yes	___	___	yes	yes	___	
58000	Urinal: wall mount	1	2	___	___	yes	___	___	___	yes	___	

**Services**

ID	Description	Service Category	Qty	Selection / Remarks
5000	Airconditioning	HVAC		
5019	Exhaust	HVAC		to toilet/ shower area
4033	Floor waste	Hydraulics	5	
6000	General fluorescent	Lighting		
9060	GPO: Special: for equipment	Power	1	for hair dryer & shaver use only; to comply with relevant electric safety guidelines